

Wireless remote control transmitter Multi

Order No. : 5355 10

Operating instructions**1 Safety instructions**

Electrical devices may only be mounted and connected by electrically skilled persons.

Serious injuries, fire or property damage possible. Please read and follow manual fully.

Keep button cells out of reach of children! If button cells are swallowed, get medical help immediately.

Risk of explosion! Do not throw button cells into a fire.

Risk of explosion! Do not replace a used battery with a primary battery, e.g. lithium button cell.

Fire hazard! Operation exclusively with the power supplies listed under accessories

The radio communication takes place via a non-exclusively available transmission path, and is therefore not suitable for safety-related applications, such as emergency stop and emergency call.

These instructions are an integral part of the product, and must remain with the end customer.

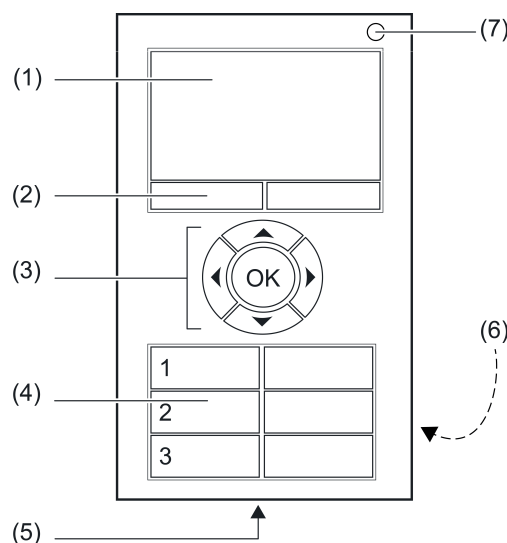
2 Device components

Figure 1: View

- (1) LC display
- (2) Menu buttons
- (3) Navigation buttons
- (4) Function keys
- (5) Charging connection
- (6) Battery compartment (Rear side)
- (7) Status LED

3 Function

Intended use

- Hand transmitter for radio transmission of switching, dimming, blind movement and scene commands
- Operation with radio actuators from the eNet system

Product characteristics

- LC display for user guidance
- Menu buttons with changing assignments, depending on the menu context
- Navigation buttons for orientation in the menu
- Three freely-configurable function key pairs
- Status LED to display the transmission status
- 10 lists for the compilation of favourite functions
- 16 scenes
- All On and All Off
- Lock-out protection for roller shutters or Venetian blinds
- Restraint function
- Master dimming function
- Operation with rechargeable battery (in the scope of delivery)
- Charging the battery with or without charging cradle (accessory) or USB charging device
- Charging cable included in the scope of delivery

Supplementary functions can be activated via eNet server:

- Operation locks
 - Update of the device software (only with power supply connected)
- i** Only with eNet Server Software up to version 1.4.

4 Operation

Display elements

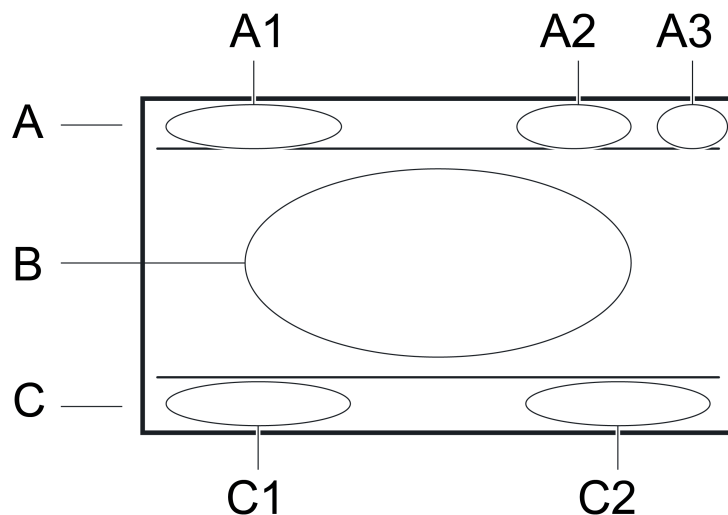


Figure 2: Screen panes in the display

A: Title line

A1: Menu title

A2: Time display

A3: Charging display

B: Text area

C: Footer for status messages and for displaying the function of the menu buttons

C1: Function of the left menu button, context-dependent

C2: Function of the right menu button, context-dependent

The hand-held transmitter is operated using the buttons (4) or via the menu structure in the display using the navigation buttons (3) ▲, ▼, ◀, ▶ and **OK**.

4.1 First steps

- i** Before using the hand-held transmitter, it must be connected to the switching, dimmer and Venetian blind actuators that are to be operated in the system. These steps are documented in the section "Commissioning".
Caution! Only electrically skilled people may perform work on electrical systems.

Inserting the battery

Before first commissioning, the enclosed battery must be inserted in the device.

- i** Only use the prescribed battery type. Do not insert any other button cells.

Keep the contacts of batteries and device free of grease.

- Open the battery compartment (6) on the rear side.
- Apply the battery to the positive contact of the battery holder. Observe polarity: The positive pole of the battery must be at the top.
- Press gently on the battery to snap it in.
- Close battery compartment.

Charging the battery

Use a device with a USB-A connection for charging, e.g. on a PC, or use a standard USB charging device.

The enclosed battery has been inserted in the device.

- Connect the hand-held transmitter with the USB device using the enclosed USB cable. During a charging operation, the charging display (A3) displays a progress bar. Once a battery symbol appears here, the battery has been charged.

- i** The charging cradle can also be used to charge the battery (accessory).

Switching on the hand-held transmitter

- Press any button on the hand-held transmitter.

- i** To activate the hand-held transmitter from Standby mode, it is sufficient to move it or shake it lightly.

Switching off the hand-held transmitter

- Open the main menu.
- Select "Programming" and press **OK**.
- Select "Settings" and press **OK**.
- Select "Turn OFF device" and press **OK**.

- i** The hand-held transmitter cannot be switched off during charging. The message "Mains operation" appears in the footer.

4.2 Basic functions

Navigation and selection

The hand-held transmitter is operated using the function keys (4) or via the menu structure in the display using the navigation buttons (3) and menu buttons (2):

- ▲ moves the cursor upwards.
- ▼ moves the cursor downwards.
- ◀, ▶ allow the adjustment of values.
- OK** selects a highlighted menu item.

Main menu

The following submenus are available in the main menu:

- "Channels": Operation of individual hand-held transmitter channels.

- "Scenes": Recalling and saving of scenes.
- "Button lock": Locks the buttons of the hand-held transmitter.
- "Program": Opens the programming menu.

The user can set the entries in the main menu and add to them using user-specific lists. Lists, channels and scenes can be named freely (see chapter 4.5. Setting up the hand-held transmitter).

In the main menu, the menu buttons (2) have the functions "All On" and "All Off" assigned to them.

Programming menu

The following submenus are available in the programming menu:

- "Channels": Connect or disconnect hand-held transmitter channels and actuators; rename hand-held transmitter channels.
- "Scenes": Integration of actuators into scenes; renaming of scenes; removal of actuators from scenes.
- "Lists": Compilation of user-specific lists containing hand-held transmitter channels and scenes.
- "Button assignment": Assignment of hand-held transmitter channels to the function keys (4).
- "Settings": Opens the Settings menu.
- "Advanced startup": Opens the commissioning of the hand-held transmitter with the eNet server.

Settings menu.

- "Home screen": Configures the main menu.
- "Display": Setting of font size, language, display, brightness and active display time.
- "Date/time": Setting of date and time; automatic summer/winter time change-over
- "Factory Settings": Resetting of the entire device to the as-delivered state.
- "Info": Information on the hardware and software version.
- "Turn OFF device": Switching the device off.

Status LED

As soon as a button is pressed or released, the status LED (7) first signals radio transmission

- LED turns red for 3 seconds

and then the actuator status/group status

- LED turns green for 3 seconds:
At least one actuator is switched on, or one Venetian blind is not in the top end position
- LED remains off:
All the actuators are switched off or the blinds are all in the upper end position

or - if there is no status message from an actuator - a transmission error.

- The LED rapidly flashes red for 5 seconds:
The status message of at least one actuator is missing

4.3 Operating actuators with rockers

The function keys (4) allow direct access to the most important functions. The user can freely select the assignment from the saved connections.

Operating light

- Switch on: Brief press of left button.
- Switch off: Brief press of right button.
- Dim brighter: Long press of left button. The dimming process ends when the button is released.
- Dim darker: Long press of right button. The dimming process ends when the button is released.

Operating blind

- Move Venetian blind upwards: Long press of left button.
- Move Venetian blind downwards: Long press of right button.

- Stop or adjust Venetian blind: Short press of right or left button.

Operating push-button actuator

- Press the right or left button: The load is switched on for the duration of the button-press.
- i** The maximum actuation length is 60 seconds.

Recalling scenes

- Press the scene button briefly.
Actuators switch to the saved scene values.

Changing scene

- Press the scene button briefly.
Actuators switch to the saved scene value.
- Set new scene values.
- Press scene button for longer than 4 seconds.
Actuators first switch to the saved scene value and save the new scene value after 4 seconds.

Dimming a scene

The dimmer actuators in a recalled scene can be dimmed, although the brightness differences between the individual dimmer actuators remain.

The master dimming function must be assigned to a rocker (see chapter 4.5. Setting up the hand-held transmitter).

- Recall a scene - either using the scene menu or a function key.
- Dim brighter: Long press of the left master dimming button.
- Dim darker: Long press of the right master dimming button.

4.4 Operating the hand-held transmitter

Operating actuators with the channel menu

The "Channels" menu offers direct access to all 24 hand-held transmitter channels, irrespective of whether or not actuators are connected.

- Open the main menu.
- Select "Channels" and press **OK**.
- Select the desired hand-held transmitter channel.
- Switch on: Brief press of ► button.
- Switch off: Brief press of ◀ button.
- Toggle: Brief press of **OK** button.
- Dim brighter: Long press of ► button.
- Dim darker: Long press of ◀ button.
- Move Venetian blind downwards: Long press of ◀ button.
- Move Venetian blind upwards: Long press of ► button.
- Stop Venetian blind: Short press of ◀ or ► button.
- Return to main menu: Press the left menu button "Back".

Operating actuators with the list menu

When set up, lists can contain selected hand-held transmitter channels or scenes and be given sensible names according to the requirements of the operator (see chapter 4.5. Setting up the hand-held transmitter).

- Open the main menu.
- Select the desired list in the menu and press **OK**.
- Select the desired hand-held transmitter channel. Operation takes place with the ◀ and ► buttons.

- Return to main menu: Press the left menu button "Back".

Save switch-on brightness

A switch-on brightness can be set and saved for dimmer actuators.

- Open the main menu.
- Select "Channels" and press **OK**.
- Select the desired hand-held transmitter channel.
- Set required switch-on brightness.
- Press the right menu button "Open".
- Select "Set Startvalue" and press **OK**.
The light is briefly switched off and switched on again to the switch-on brightness. Switch-on brightness is saved.
- Return to main menu: Press the left menu button "Back" for approx. 1 second.

Scene menu: Recall scenes

The "Scenes" menu offers 16 scenes, irrespective of whether or not actuators are connected, as well as the functions 'Channel lock' and 'Lock-out protection'.

- Open the main menu.
- Select "Scenes" and press **OK**.
- Select the desired scene and press **OK**.
The message "Scene called" appears in the footer.
- Return to main menu: Press the left menu button "Back".

Scene menu: Changing a scene

- Call up the scene to be changed.
- Change the active scene as desired.
- Return to the scene menu.
- Select the desired scene and press the right menu button "Open".
- Select "Store scene" and press "Save".
The message "Store scene" appears in the footer.
- Return to main menu: Press the left menu button "Back" for approx. 1 second.

Activating and removing a button lock

The button lock locks all the buttons of the hand-held transmitter against operation.

- Activating the button lock: Open the main menu, select the menu item "Button lock" and press **OK**.
All the push-button functions of the hand-held transmitter are disabled.
The display indicates this state.
- Removing a button lock: Press the right menu button "Unlock" for approx. 3 seconds.

4.5 Setting up the hand-held transmitter

Creating lists

Lists allow quick access to frequently used hand-held transmitter channels or scenes. Lists can be accessed using appropriate names in the main menu.

The hand-held transmitter is connected to all the actuators that are to be operated.

- Open the main menu.
- Select "Programming" and press **OK**.
- Select "Lists" and press **OK**.
- Select the desired list and press **OK**.
- Select "Assign function" and press **OK**.

The list with all the available hand-held transmitter channels and scenes appears in the display.

- Select the hand-held transmitter channels and scenes, one after another. Confirm each selection with **OK**.
Selected entries are indicated by ✓.
- Saving a list: Press the right mouse-button "Save".
The message "Store list" appears in the footer.
- Exiting a list: Press the left menu button "Back".

Renaming a list

A list name can contain a maximum of 15 characters.

- Open the main menu.
- Select "Programming" and press **OK**.
- Select "Lists" and press **OK**.
- Select the desired list and press **OK**.
- Select "Rename list" and press **OK**.
The "Edit text" window appears in the display.
- Enter the list name (see chapter "Entering texts").
- Saving an entry: Press the right mouse-button "Save".
The message "Store list" appears in the footer.
- Exiting "Edit text": Press the right menu button "Back".

Arranging a list

Users can sort the entries within a list however they wish.

Functions must be assigned before a list is sorted.

- Open the main menu.
- Select "Programming" and press **OK**.
- Select "Lists" and press **OK**.
- Select the desired list and press **OK**.
- Select "Arrange list" and press **OK**.
The list with all the assigned hand-held transmitter channels and scenes appears in the display. If the list is empty, no functions are assigned.
- Using the ▲ or ▼ buttons, select a list entry. Confirm the selection with **OK**.
The selected entry is indicated with <>.
- Using the ◀ or ▶ buttons, move the selected entry and press **OK**.
The highlighting <> disappears.
- Once the list has been sorted as required, press the right menu button "Save".
The message "Store list" appears in the footer.
- Exiting a list: Press the left menu button "Back".

Connecting the function keys with the hand-held transmitter channel

The function keys (4) allow direct access to the most important functions. For individual hand-held transmitter channels, buttons next to one another are combined to form a rocker.

The hand-held transmitter is connected to all the actuators that are to be operated.

- Open the main menu.
- Select "Programming" and press **OK**.
- Select "Button assignment" and press **OK**.
- Select the desired button - 1, 2 or 3 - and press **OK**.
- Select the desired function – channel, scene, master dimming or "no function".
- Assigning a channel: Select the desired channel and press **OK**.

- Assigning a scene: Select the left or right button and press **OK**. Select the desired scene and press **OK**.
A message appears in the footer, stating that the function is being saved.
The selected entry is indicated with ✓.
- Exiting the selection window: Press the left menu button "Back".

Entering texts

The "Edit text" window appears when hand-held transmitter channels, scenes or lists are to be renamed.

It contains an entry line and three selection lines in the text area. The selection lines provide the letters **A...Z**, the numerals **0...9** and some special characters.

- Selecting and entering characters: In the selection lines, mark the desired characters and press **OK**.
The selected character appears in the entry line.
- Switching between upper and lower-case letters: Highlight the character ↑ and press **OK**.
- Deleting or correcting the most recently entered character: In the selection line, highlight the character ← and press **OK**.

Selecting entries for the main menu

- Open the main menu.
- Select "Programming" and press **OK**.
- Select "Settings" and press **OK**.
- Select "Home screen" and press **OK**.
- Select "Select" and press **OK**.
- Select the desired entries and press **OK**.
The selected entry is indicated with ✓.
- Return to main menu: Press the left menu button "Back" for approx. 1 second.
The selected entries are available in the main menu.

 The "Programming" entry is always available and cannot be deactivated.

4.6 Settings

Setting the font size

- Open the main menu.
- Select "Programming" and press **OK**.
- Select "Settings" and press **OK**.
- Select "Display" and press **OK**.
- Select "Font size" and press **OK**.
- Depending on requirements, select the font size "Small" or "Big".
The text area is shown in the selected font size. The selection is indicated with ✓.
- Return to main menu: Press the left menu button "Back" for approx. 1 second.

Selecting a language

- Open the main menu.
- Select "Programming" and press **OK**.
- Select "Settings" and press **OK**.
- Select "Display" and press **OK**.
- Select "Language" and press **OK**.
- Select the desired language and press **OK**.
The text area is shown in the selected language. The selection is indicated with ✓.
- Return to main menu: Press the left menu button "Back" for approx. 1 second.

Selecting the display

- Open the main menu.
- Select "Programming" and press **OK**.
- Select "Settings" and press **OK**.
- Select "Display" and press **OK**.
- Select "Inverse display" and press **OK**.
The display is inverted - bright text on dark background or vice-versa. The selection is indicated with ✓.
- Return to main menu: Press the left menu button "Back" for approx. 1 second.

Setting the display brightness

The display brightness can be set in 16 levels.

- Open the main menu.
- Select "Programming" and press **OK**.
- Select "Settings" and press **OK**.
- Select "Display" and press **OK**.
- Select "Brightness".
- Increase display brightness: Press the ► button.
- Reduce display brightness: Press the ◀ button.
- Return to main menu: Press the left menu button "Back" for approx. 1 second.

Set active display time

The active display time determines the time, after which the display switches to energy-saving mode and switches off. The backlighting switches off after half of the set time.

- Open the main menu.
- Select "Programming" and press **OK**.
- Select "Settings" and press **OK**.
- Select "Display" and press **OK**.
- Select "Active display time".
- Increase active display time: Press the ► button.
- Decrease active display time: Press the ◀ button.
- Return to main menu: Press the left menu button "Back" for approx. 1 second.

5 Information for electrically skilled persons

5.1 Fitting and electrical connection

Mounting the charging cradle

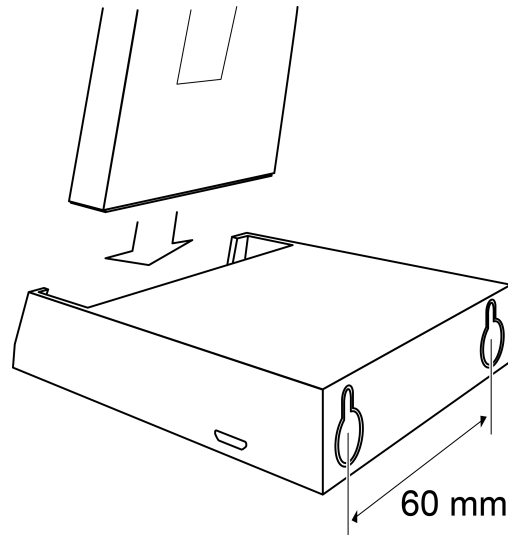


Figure 3: Charging cradle for hand-held transmitter - Rear view

The optional charging cradle (accessory) gives the hand-held transmitter its permanent place. The charging cradle can be operated when mounted on a flat surface as a table-top device or mounted on the wall.

When mounting it on the wall, use a screw with a screw head < 8 mm, e.g. 3.0×30. Screw spacing 60 mm.

Selecting a suitable mounting location near to a socket or on a flush-mounted USB power supply.

- Countersink the screws into the wall to approx. 3 mm. Do not break out the mounting locks.
- Place the charging cradle onto the mounted screws and fix them by applying slight downward pressure.
- Connect the charging cradle with the USB power supply.

5.2 Commissioning



DANGER!

Electrical shock when live parts are touched.

Electrical shocks can be fatal.

During commissioning, cover the parts carrying voltage on radio transmitters and actuators and in their surrounding area.

Connecting the hand-held transmitter channel with the actuator

i Up to 10 radio actuators can be connected to a transmitter in a single step.

- Open the main menu.
- Select "Programming" and press **OK**.
- Select "Channels" and press **OK**.
- Select the desired hand-held transmitter channel and press **OK**.
- Select "Teach channel" and press **OK**.

Status LED (7) flashes red. The hand-held transmitter is in programming mode for approx. 1 minute.

- Switch the actuator channels to programming mode (see actuator instructions).
The hand-held transmitter signals the number of actuator channels found.
- Press the right menu button "Teach".
The status LED lights up for approx. 5 seconds. The selected hand-held transmitter channel is connected to the actuator. The hand-held transmitter and actuator exit the programming mode automatically.
- ❗ The All On and All Off buttons of the hand-held transmitter are connected to the actuator automatically as soon as the first connection to a radio transmitter takes place.
- ❗ If the status LED of the radio transmitter flashes 3 times at 1-second intervals for approx. 5 seconds, then the programming operation was not successful. The actuator is outside radio range, not in programming mode or there are radio faults.
- ❗ If the status LED of the actuator flashes 3 times at 1-second intervals for approx. 5 seconds, then the programming operation was not successful. All the memory locations in the actuator or radio transmitter are occupied.
- ❗ To terminate programming mode early, press the left menu button "Back".

Renaming a hand-held transmitter channel

- Open the main menu.
- Select "Programming" and press **OK**.
- Select "Channels" and press **OK**.
- Select the desired channel and press **OK**.
- Select "Rename channel" and press **OK**.
The "Edit text" window appears in the display.
- Enter a new name (see chapter "Setting up the hand-held transmitter", "Entering texts").
- Saving an entry: Press the right mouse-button "Save".
The message "Text stored" appears in the footer.
- Exiting "Edit text": Press the left menu button "Back".

Disconnecting the connection between a hand-held transmitter channel and an actuator

The connection between a hand-held transmitter channel and an individual actuator is disconnected by repeating the connection steps:

- Open the main menu.
- Select "Programming" and press **OK**.
- Select "Channels" and press **OK**.
- Select the desired hand-held transmitter channel and press **OK**.
- Select "Teach channel" and press **OK**.
Status LED (7) flashes red. The hand-held transmitter is in programming mode for approx. 1 minute.
- Switch the actuator channels to programming mode (see actuator instructions).
The hand-held transmitter signals the number of actuator channels found.
- Press the right menu button "Teach".
The status LED flashes quickly for approx. 5 seconds. The selected hand-held transmitter channel is disconnected from the actuator. The hand-held transmitter and actuator exit the programming mode automatically.

Disconnecting the connection between a hand-held transmitter channel and all the actuator channels

- Open the main menu.
- Select "Programming" and press **OK**.
- Select "Channels" and press **OK**.
- Select the desired hand-held transmitter channel and press **OK**.
- Select "Reset channel" and press **OK**.

A security query is displayed, asking whether the operation should be continued or not.

- Cancel operation: Press the left menu button "No".

- or -

- Continue operation: Press the right menu button "Yes".

The message "Reset executed" appears in the footer. All the actuator channels connected to the selected hand-held transmitter channel are disconnected.

Connecting a scene channel with the actuator

- Open the main menu.
- Select "Programming" and press **OK**.
- Select "Scenes" and press **OK**.
- Select the desired scene and press **OK**.
- Press "Teach scene" and **OK**.

Status LED (7) flashes red. The hand-held transmitter is in programming mode for approx. 1 minute.

- Switch the actuator channels to programming mode (see actuator instructions).
The hand-held transmitter signals the number of actuator channels found.
- Press the right menu button "Teach".

The status LED lights up for approx. 5 seconds. The selected hand-held transmitter channel is connected to the actuator. The hand-held transmitter and actuator exit the programming mode automatically.

- i** If the status LED of the radio transmitter flashes 3 times at 1-second intervals for approx. 5 seconds, then the programming operation was not successful. The actuator is outside radio range, not in programming mode or there are radio faults.
- i** If the status LED of the actuator flashes 3 times at 1-second intervals for approx. 5 seconds, then the programming operation was not successful. All the memory locations in the actuator or radio transmitter are occupied.
- i** To terminate programming mode early, press the left menu button "Back".

Rename scene

- Open the main menu.
- Select "Programming" and press **OK**.
- Select "Scenes" and press **OK**.
- Select the desired scene and press **OK**.
- Select "Rename scene" and press **OK**.

The "Edit text" window appears in the display.

- Enter a new name (see chapter "Setting up the hand-held transmitter", "Entering texts").
- Saving an entry: Press the right mouse-button "Save".
The message "Text stored" appears in the footer.
- Exiting "Edit text": Press the left menu button "Back".

Removing an individual actuator channel from a scene

An individual actuator is removed from a scene by repeating the connection steps:

- Open the main menu.
- Select "Programming" and press **OK**.
- Select "Scenes" and press **OK**.
- Select the desired scene and press **OK**.
- Press "Teach scene" and **OK**.

Status LED (7) flashes red. The hand-held transmitter is in programming mode for approx. 1 minute.

- Switch the actuator channels to programming mode (see actuator instructions).

The hand-held transmitter signals the number of actuator channels found.

- Press the right menu button "Teach".

The status LED lights up for approx. 3 seconds. The actuator channels are deleted from the scene. The hand-held transmitter and actuator exit the programming mode automatically.

Resetting a scene

All the connections of the scene channel to actuators are disconnected.

i The connections in the actuators are preserved and must be deleted separately.

- Open the main menu.
- Select "Programming" and press **OK**.
- Select the desired scene and press **OK**.
- Select "Scenes" and press **OK**.
- Select "Reset scene" and press **OK**.

A security query is displayed, asking whether the operation should be continued or not.

- Cancel operation: Press the left menu button "No".

- or -

- Continue operation: Press the right menu button "Yes".

The message "Reset executed" appears in the footer. All the actuators connected to the selected scene are disconnected.

Setting up lock-out protection

The lock-out protection function moves the blind/shutter to the top end position for selected Venetian blind actuators – e.g. for patio or balcony doors and locks further operation.

- Connect two scenes for activating and deactivating the lock-out protection with the desired Venetian blind actuator (see chapter Connecting a scene channel with an actuator).
- Give the scene a suitable name (see chapter Renaming a scene).
- Open the main menu.
- Select "Scenes" and press **OK**.
- Select the scene for activating lock-out protection and press the right menu button "Open".
- Select "Lock-out prot. ON" and press **OK**.
The entry is indicated with ✓.
- Press the left menu button "Back".
- Select the scene for deactivating lock-out protection and press the right menu button "Open".
- Select "Lock-out prot. OFF" and press **OK**.
The entry is indicated with ✓.
- Press the left menu button "Back".
The lock-out protection functions are indicated with ◇.
- Exiting Scenes menu: Press the left menu button "Back".

Setting up the channel lock function

A channel lock function sets values, states or Venetian blind positions and then locks automatic or manual operation until an enable is performed.

- Connect two scenes for activating and deactivating the channel lock with the desired actuators (see chapter Connecting a scene channel with an actuator).
- Give the scene a suitable name (see chapter Renaming a scene).
- Set the switching dimmer and Venetian blind actuators with the desired values for the restrained situation.
- Open the main menu.
- Select "Scenes" and press **OK**.

- Select the previously-created scene for activating the function and press the right menu button "Open".
- Select "Channel lock ON" and press **OK**.
The entry is indicated with ✓.
- Select "Store scene" and press **OK**.
- Press the left menu button "Back".
- Select the previously-created scene for deactivating the function and press the right menu button "Open".
- Select "Channel lock OFF" and press **OK**.
The entry is indicated with ✓.
- Press the left menu button "Back".
The channel lock functions are indicated with ◇.
- Exiting Scenes menu: Press the left menu button "Back".

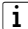
Preparing a hand-held transmitter for operation with an eNet server

The hand-held transmitter must be connected with the server for installations commissioned with the eNet server.

- Open the main menu.
- Select "Programming" and press **OK**.
- Select "Advanced startup" and press **OK**.
"Teaching mode" is activated and the LED flashes red.
- Start reading in of devices on the eNet server.
- If the eNet server requests actuation of a button, select "Send confirmation" and press **OK**.
- Once programming of the hand-held transmitter by the eNet server has been completed, select "Teaching mode" again and press the right menu button "On/Off".
The hand-held transmitter signals "End of Teaching mode" in the footer.

Resetting the hand-held transmitter to the default setting

All the connections to actuators are disconnected. The parameters are reset to the default setting.

 The connections in the actuators are preserved and must be deleted separately.

- Open the main menu.
- Select "Programming" and press **OK**.
- Select "Settings" and press **OK**.
- Select "Default setting" and press **OK**.
In the text area, the message "Reset device?" appears.
- Press the right menu button "Yes".

The message "Executing reset" appears in the footer. The connections of all the hand-held transmitter and scene channels to all the actuators are disconnected. The hand-held transmitter returns to the main menu.

6 Appendix



Remove empty batteries immediately and dispose of in an environmentally friendly manner. Do not throw batteries into household waste. Consult your local authorities about environmentally friendly disposal. According to statutory provisions, the end consumer is obligated to return used batteries.

6.1 Technical data

Rated voltage

DC 3.6 V

Battery type

1×Lithium LIR 2477

Dimensions L×W×H

131×67×17 mm

Ambient temperature

-5 ... +45 °C

Degree of protection

IP 20

Radio frequency

868.0 ... 868.6 MHz

Transmission capacity

max. 20 mW

Transmitting range in free field

typ. 100 m

Receiver category

2

6.2 Parameter list

i Only with eNet Server Software up to version 1.4

The device parameters can be changed with the eNet server:

Device and channels

Parameters	Setting options, Basic setting	Explanations
Function	Rocker/Scene, Unused Basic setting: Rocker/Scene	Rocker The channel works as a channel button. Scene The channel works as a scene button. Unused The channel is not displayed in the eNet SMART HOME app and is disabled for use in the commissioning interface.
Operating mode	App use, lock-out protection, forced operation Basic setting: App use	Setting the type of scene used for a scene channel.

Device settings

Parameters	Setting options, Basic setting	Explanations
Name, list 1 to 10	Free text, maximum 15 characters Basic setting: List 01 to list 10	List designations of List 1 to 10
Font size	Small, large Basic setting: Large	Setting of the font size for displaying characters.
Inverted display	Off, On Basic setting: On	Switch-over between black font on white background and white font on black background.
Language	German, English, Dutch, Norwegian, Spanish, French Basic setting: German	Setting of the display language.
Display brightness	1 to 16 Basic setting: 10	Brightness setting of the display.
Clock: Minutes	0 to 59 Basic setting: 0	Setting of the current time: Minutes.
Clock: Hours	0 to 23 Basic setting: 0	Setting of the current time: Hours.
Date: Weekday	Monday to Sunday Basic setting: Sunday	Setting of current weekday

Date: Day	1 to 31 Basic setting: 1	Setting of current date: Day.
Clock: Month	1 to 12 Basic setting: 1	Setting of current date: Month.
Date: Year	1 to 99 Basic setting: 12	Setting of current date: Year.
Clock: Summer time changeover	On, Off Basic setting: On	Clock setting for automatic switch-over to summer and winter time.
Light run-on time	10 to 60 seconds Basic setting: 40 seconds	Time for which the display illuminated remains switched after the last button-press. The setting is made in jumps of 2 seconds. A factor between 5 and 30 must be entered.

Advanced device settings

Parameters	Setting options, Basic setting	Explanations
Function, rocker 1 to 3	Rocker switch, scene, master dimming, none Basic setting: Rocker	Setting the function keys. Setting "Rocker switch": Adjacent buttons are combined to form a rocker and work as channel buttons. Setting "Scene:" Both buttons work as scene buttons. Setting "Master dimming": The dimmer actuators in a recalled scene can be dimmed. Setting "None": The function keys have no function.
Channel index, left button of rocker 1 to 3	In the setting "Rocker switch": 17 to 40 Basic setting: 17 to 19 In the setting as scene button: 1 to 16 Basic setting: 1 to 3	Connecting the function keys with the desired channel. Values 17 to 40 correspond to the channels 1 to 24. Values 1 to 16 correspond to the scenes 1 to 16.
Channel index, right button of rocker 1 to 3	In the setting as scene button: 1 to 16 Basic setting: 1 to 3	Connecting the function keys with the desired channel. Values 1 to 16 correspond to the scenes 1 to 16.
Manual commissioning	On, Off Basic setting: On	Disables manual commissioning for all device channels. In the "Off" setting, the device cannot be reset to the factory setting.

Extended channel settings

Parameters	Setting options, Basic setting	Explanations
------------	--------------------------------	--------------

Manual commissioning	On, Off Basic setting: On	Blocks manual commissioning for the device channel. In the "Off" setting, the device cannot be reset to the factory setting.
Local Operation	On, Off Basic setting: On	With this device, the parameter has no function.

6.3 Troubleshooting

After a brief button-press, the hand-held transmitter switches off.

Cause: Battery in the hand-held transmitter is almost empty.

Charge the hand-held transmitter using the USB connection.

If the problem persists: Battery is worn out. Replace it with a new battery.

Receiver does not react, status LED displays a transmission error. Status LED flashes red quickly for 3 seconds.

Cause 1: Radio range exceeded. Structural obstacles reduce the range.

Insert a radio repeater.

Cause 2: Actuator is not ready for operation.

Check the actuator and mains voltage.

Cause 3: There are radio faults, e.g. through outside radio.

Eliminate radio interference.

- i** The actuator causing the transmission error can be removed from the display of transmission errors.
To do this, open the main menu. Select "Channels" and press **OK**.
Select the desired hand-held transmitter channel, press **OK** and then "Open".
During signalling, select "Status exclusion" and press **OK**.
The status LED lights up red. The message "Status exclusion" appears in the footer.
The actuator is automatically taken into account again when it transmits a status message after radio transmission.

The programming mode cancels after a few seconds.

There is an eNet server in scan mode within radio range.

Terminate scan mode on the eNet server.

After a button has been pressed, the status LED flashes red quickly for 3 seconds.

Cause: Maximum permitted transmission period (statutory Duty Cycle Limit) has almost been reached. For the function of the transmitter to continue, the polling and display of the sum status will be switched off. As soon as sufficient transmission time is available again, the sum status will again be polled on button actuation.

Actuate the transmitter again after a short waiting time, normally a few seconds.

Reduce the number of actuations.

Reduce the number of actuators connected to the transmitter.

6.4 Accessories

Charger for radio remote control, Multi

USB power supply 2-gang

USB power supply unit, 5 V / 500 mA

Order No. 5358 10

Order No. 2359 00

Gira Giersiepen GmbH & Co. KG hereby declares that the radio system type

Order No. 5355 10

corresponds to the directive 2014/53/EU. You can find the full article number on the device. The complete text of the EU Declaration of Conformity is available under the Internet address:

www.gira.de/konformitaet

6.6 Warranty

The warranty follows about the specialty store in between the legal framework as provided for by law

Please submit or send faulty devices postage paid together with an error description to your responsible salesperson (specialist trade/installation company/electrical specialist trade). They will forward the devices to the Gira Service Center.

Gira
Giersiepen GmbH & Co. KG
Elektro-Installations-
Systeme

Industriegebiet Mermbach
Dahlienstraße
42477 Radevormwald

Postfach 12 20
42461 Radevormwald

Deutschland

Tel +49(0)21 95 - 602-0
Fax +49(0)21 95 - 602-191

www.gira.de
info@gira.de