

## Touch sensor 2

1-key without controller

2-key without controller

1-key with controller

2-key with controller

3-key with controller

4-key with controller (2+2)

4-key with controller

Order no.: 2011 xx

Order no.: 2012 xx

Order no.: 2061 xx

Order no.: 2062 xx

Order no.: 2063 xx

Order no.: 2064 xx

Order no.: 2044 xx

## System Information

This device is a product of the Instabus-KNX/EIB system and complies with KNX directives.

Detailed technical knowledge obtained in KNX/EIB training courses is a prerequisite to proper understanding.

The functionality of this device depends on the software.

Detailed information on loadable software and attainable functionality as well as the software itself can be obtained from the manufacturer's product database.

Planning, installation and commissioning of the unit is effected by means of KNX-certified software.

An updated version of the product database and the technical descriptions are available in the Internet at [www.gira.de](http://www.gira.de).



### Safety warnings

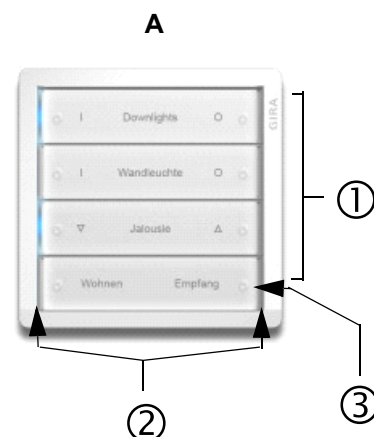
**Attention: Electrical equipment must be installed and fitted by qualified electricians only and in strict observance of the relevant accident prevention regulations.**

**Failure to observe any of the installation instructions may result in damage to the device, fire or in other hazards.**

## Touch sensor function FIG. A

### a. Versions 1-key, 2-key without controller:

- Switching
- Dimming
- louver / shutter control
- recalling of lightscapes
- inscription label illumination
- status indicator LED for each key (2)
- operation LED (3)




b. Functions of versions with controller:

Separate programming for each key (1):

- Switching
- Toggling
- Dimming (two-key operation)
- Dimming (single-key operation)
- louver / shutter control
- alarm
- inhibit function
- dimming data transmitter
- brightness data transmitter (0 ... 1500 Lux)
- temperature data transmitter (0 ... 40°C)
- 8-bit universal data transmitter
- Recalling of lightscapes
- Saving of lightscapes
- status indicator LED for each key (2)
- operation LED (3)

**Fitting****Touch sensor 2**

**1-key, 2-key, 3-key, 4-key**  FIG. C

**4-key (2+2)**  FIG. D

After plugging the user module onto a flush-mounting bus coupling unit, the two components are connected via the user interface.


Anti-theft protection is ensured by screws. Proceed as follows:

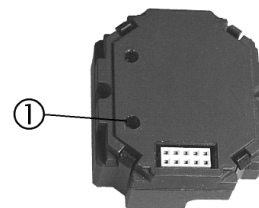
- Remove rocker cover (9) and then rocker carrier (7) carefully with a screwdriver or with a fingernail.
- Lift off the ESD protection mat (6).
- Place cover frame (2) and user module (3) on the installed bus coupling unit (1).
- Fasten the touch sensor with screws onto the insert.  
Use only the set of screws supplied with the device (4, 5a, 5b, 5c).
- Put the ESD protection mat (6) carefully back in place.

**Important:**

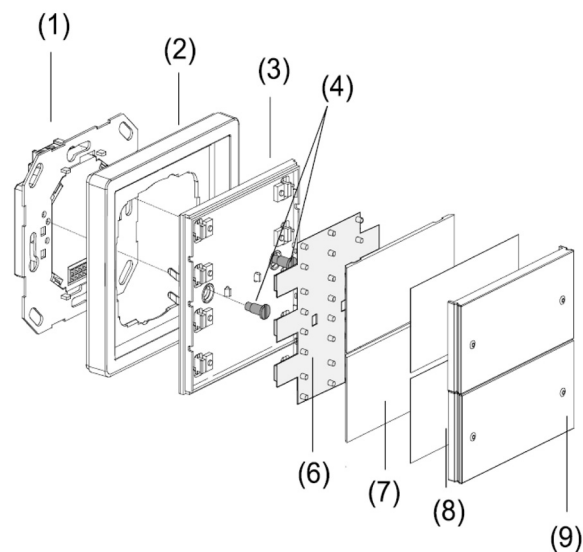
**Without ESD protection mat, proper functioning of the device cannot be guaranteed.  
The touch sensor can be irreparably damaged by electrostatic discharge when operated.**

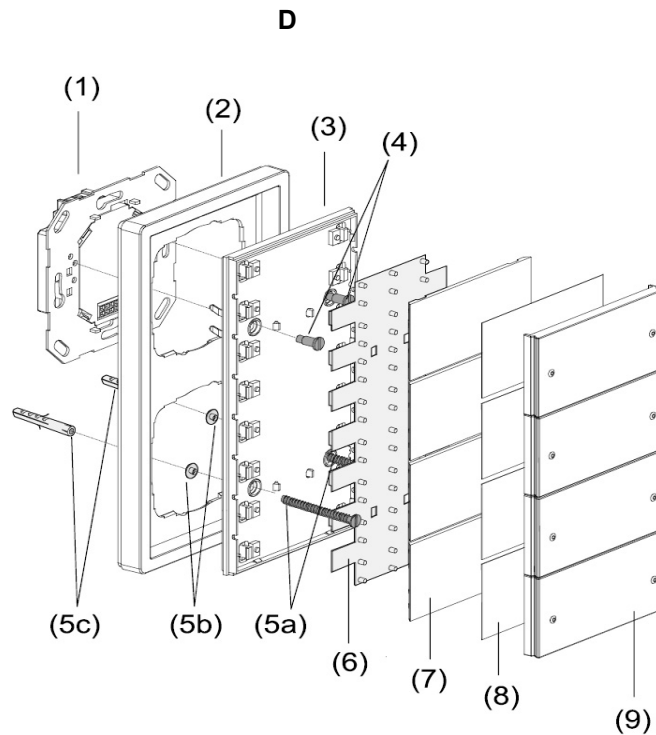
**Important:**

- **The touch sensor 2 plus can only be used on an Instabus flush-mounting bus coupling unit with round programming button  FIG. B ① (new generation).**  
The sensor cannot be used on older bus coupling units as well as in the Powernet system and in the Radiobus System
- **4-key Touch sensor 2: The device is installed on one flush-mounting bus coupler.**

**B**

- Fit rocker carrier (7), labelling foil (8) and rocker cover (9) by snapping both parts onto the device.

**C**



### Technical data

Power supply:	via flush-mounted bus coupler
Power consumption:	typically 150 mW
Connection	
User interface:	2 x 5 pole plug connector
Ambient temperature:	-5 °C ... +45 °C
Storage/transport temperature:	-25 °C ... +70 °C
Type of protection:	IP 20
Safety class:	III

## Acceptance of guarantee

We accept the guarantee in accordance with the corresponding legal provisions.

**Please return the unit postage paid to our central service department giving a brief description of the fault:**

Gira  
Giersiepen GmbH & Co. KG  
**Service Center**  
Dahlienstrasse 12  
D-42477 Radevormwald

---

Gira  
Giersiepen GmbH & Co. KG  
Postfach 1220  
D-42461 Radevormwald

Telefon: +49 / 21 95 / 602 - 0  
Telefax: +49 / 21 95 / 602 - 339  
Internet: [www.gira.de](http://www.gira.de)