

Light bulb dimming insert with pressure/2-way switch
Order-No. : 1181 00**Operating instructions****1 Safety instructions**

Electrical equipment may only be installed and fitted by electrically skilled persons.

Failure to observe the instructions may cause damage to the device and result in fire and other hazards.

Danger of electric shock. Always disconnect before carrying out work on the device or load. At the same time, take into account all circuit breakers that supply dangerous voltage to the device or load.

Danger of electric shock. Device is not suitable for disconnection from supply voltage.

These instructions are an integral part of the product, and must remain with the end customer.

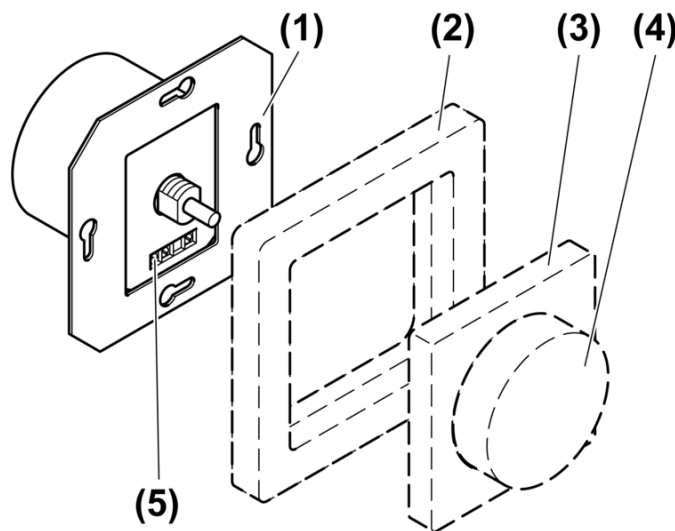
2 Device components

Figure 1: Device components

- (1) Dimmer
- (2) Frame
- (3) Central plate
- (4) Adjusting knob
- (5) Screw terminals

3 Function**Intended use**

- Switching and dimming incandescent lamps and HV halogen lamps
- Installation in appliance box to DIN 49073
- Suitable for mixed operation up to the specified output (see chapter 6.1. Technical data)

i No operation with transformers.

Product characteristics

- Dimming principle, phase cut-off
- Soft locking on actuation

- Electronic short-circuit protection with permanent switch-off after 7 seconds at the latest
 - Electronic over-temperature protection
 - Changeover switch possible in combination with two changeover switches
 - Power enhancement is only possible with the power extensions listed under Accessories
- i** Flickering of the connected lamps due to undershoot of the specified minimum load or through centralised pulses from the power stations and soft humming due to the radio interference suppressor. These are not device faults.

4 Operation

Switch light

- Press the control button.

Adjust the brightness

Light is switched on.

- Turn the control button in the clockwise direction.
The light gets brighter up to maximum brightness.
- Turn the control button in the anti-clockwise direction.
Light gets darker to minimum brightness.

5 Information for electrically skilled persons

5.1 Fitting and electrical connection



DANGER!

Electrical shock when live parts are touched.

Electrical shocks can be fatal.

Before working on the device, disconnect all the corresponding miniature circuit breakers. Cover up live parts in the working environment.

Connecting and mounting the dimmer

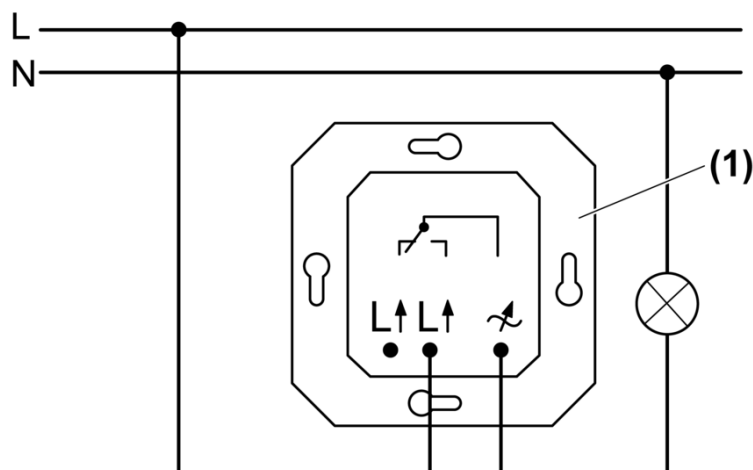


Figure 2: Connection diagram

- Connect the dimmer (1) according to the connection diagram (Figure 2).
- Mount the dimmer in the accessory socket.
- Mount the frame and the central plate.

- Attach the adjusting knob.

Connection in changeover switch

- i** No changeover switch possible with two dimmers.

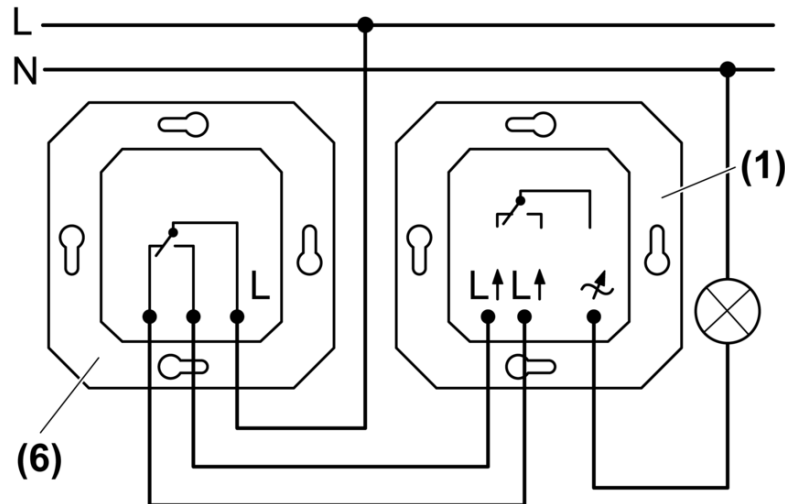


Figure 3: Changeover switch

- (1) Dimmer
- (6) Changeover switch
- Connect the dimmer (1) and the changeover switch (6) according to the connection diagram (Figure 3).

6 Appendix

6.1 Technical data

Rated voltage	AC 230 / 240 V ~
Mains frequency	50 Hz
Ambient temperature	-5 ... +25 °C
Connected load at 25 °C	
Incandescent lamps	100 ... 1000 W
HV halogen lamps	100 ... 1000 W
Power reduction	
per 5°C in excess of 25°C	-10 %
when installed in wooden or dry construction walls	-15 %
when installed in multiple combinations	-20 %
Connection	
Single stranded	max. 4 mm ²



The symbols used to label the dimmer load shows the load type that can be connected to a dimmer and the electric behaviour of a load: R = ohmic

6.2 Troubleshooting

The device switches the load off and on again after some time.

Overheating protection has tripped.

Reduce the connected load.

Check the installation situation.

- i** Automatic switch-on after cooling.

The device switches the load off and cannot be switched on again.

Short-circuit protection has tripped.

Eliminate short-circuit.

- i** After elimination of the short circuit, automatic switch-on. Short-circuit protection is not based on a conventional fuse, no metallic separation of the operational current.

6.3 Accessories

Tronic power boost

Order-No. 0380 00

LV power boost

Order-No. 0364 00

6.4 Warranty

The warranty is provided in accordance with statutory requirements via the specialist trade.

Please submit or send faulty devices postage paid together with an error description to your responsible salesperson (specialist trade/installation company/electrical specialist trade). They will forward the devices to the Gira Service Center.

Gira
Giersiepen GmbH & Co. KG
Elektro-Installations-
Systeme

Industriegebiet Mermbach
Dahlienstraße
42477 Radevormwald

Postfach 12 20
42461 Radevormwald

Deutschland

Tel +49(0)21 95 - 602-0
Fax +49(0)21 95 - 602-191

www.gira.de
info@gira.de