

Data Interface

Order no.: 1153 00

General system information

This device is a product of the Instabus KNX/EIB-system and complies with KNX directives. Detailed technical knowledge obtained in Instabus KNX/EIB training courses is a prerequisite to proper understanding.

The functionality of this device depends on the software. Detailed information on loadable software and attainable functionality as well as on the software itself may be taken from the manufacturer's product database.

Planning, installation and commissioning of the unit are performed by means of KNX-certified software.

For the product database and technical descriptions please refer to the internet at www.gira.de offering up-to-date information.



Indications of Danger

Caution! The installation and assembly of electrical equipment may be carried out only by a skilled person.

Function

The data interface ensures the connection of a PC for addressing, programming and diagnosing Instabus KNX/EIB components.

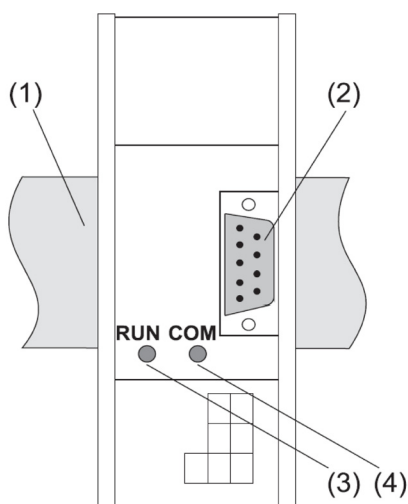
Fitting

The data interface is snap-fastened on a DIN rail (1) and connected to the Instabus KNX/EIB with the EIB bus terminal (bus contact (7) behind the flap).

The bus line must leave the device at the bottom.

Operation indicators

- (3) green: RUN ready for operation
- (4) yellow: COM data transfer via RS 232

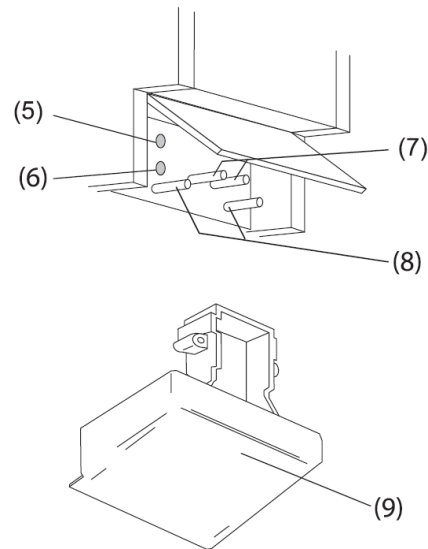


Place cap (9) on guide pins (8) and slide over bus terminal to ensure the safe distance between bus lines and 230 V lines.

The serial interface of the PC (RS 232) must be connected to the 9-pole Sub-D jack (2) by means of a data line (1:1).

This data line must not exceed the length of 15 m.

To assign the physical address, programming key (5) (behind the flap) must be actuated. The red LED (6) lights up and goes out when the physical address has been accepted.



Technical Data

Supply

Instabus KNX/EIB:	21... 32 V DC
PC:	$\pm 5... \pm 15$ V SELV, ca. 10 mA

Power drain EIB: max. 150 mW

Transmission rate: 9600 Baud

Connection

Instabus KNX/EIB:	EIB bus terminal
PC:	9 pole Sub-D jack

Mounting width: 36 mm (2 modules)

Ambient temperature: -5 °C ... $+45$ °C

Storage temperature: -25 °C ... $+70$ °C

Type of protection: IP 200

Acceptance of guarantee

We accept the guarantee in accordance with the corresponding legal provisions.

Please return the unit postage paid to our central service department giving a brief description of the fault:

Gira
Giersiepen GmbH & Co. KG
Service Center
Dahlienstrasse 12
D-42477 Radevormwald

Gira
Giersiepen GmbH & Co. KG
Postfach 1220
D-42461 Radevormwald

Telefon: +49 / 21 95 / 602 - 0
Telefax: +49 / 21 95 / 602 - 339
Internet: www.gira.de