



Power supply 320 mA
Order-No. : 1086 00
Power supply 640 mA
Order-No. : 1087 00

Operating instructions

1 Safety instructions

Electrical equipment may only be installed and fitted by electrically skilled persons.

Failure to observe the instructions may cause damage to the device and result in fire and other hazards.

These instructions are an integral part of the product, and must remain with the end customer.

2 Device components

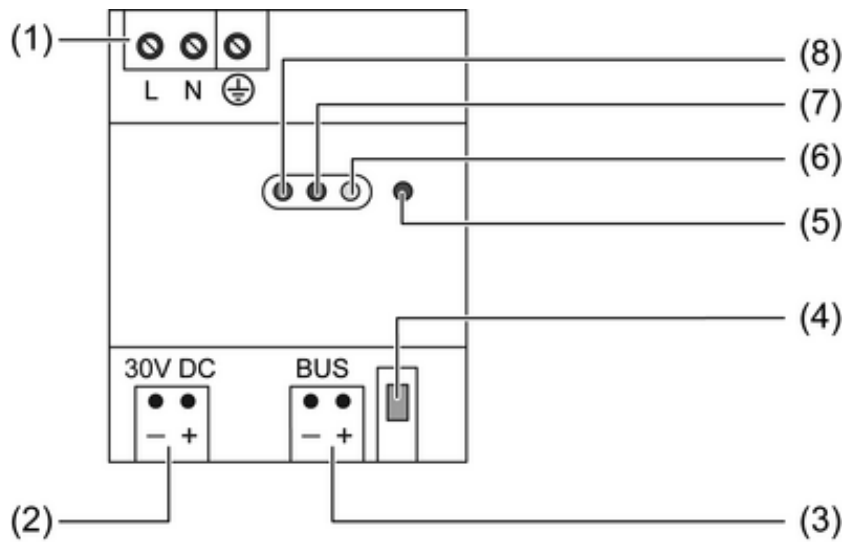


Figure 1: 320 mA power supply

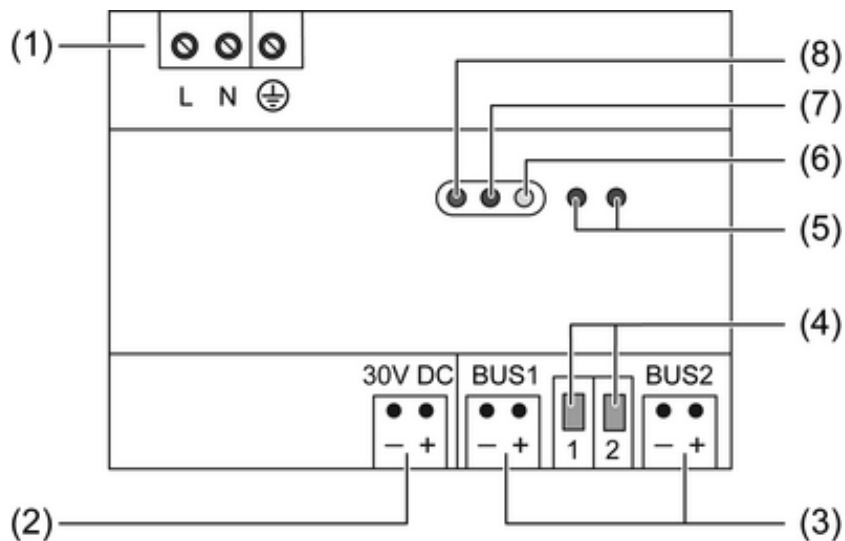


Figure 2: 640 mA power supply

- (1) Connection of mains
- (2) Output DC 30 V
- (3) Outputs for bus lines
- (4) Reset switch for bus lines
- (5) LED display, red: bus reset
- (6) LED display, yellow: overvoltage
- (7) LED display, red: overload
- (8) LED display, green: operation

3 Function

System information

This device is a product of the KNX system and complies with the KNX directives. Detailed technical knowledge obtained in KNX training courses is a prerequisite to proper understanding.

Intended use

- Supplying KNX devices with bus voltage
- Mounting on DIN rail according to EN 60715 in distribution boxes

Product characteristics

- One or two outputs with integrated throttle for supplying bus lines
- One DC 30 V output for supplying additional devices
- Nominal voltage can be subdivided to outputs as desired
- Reset switch for each bus line
- Short-circuit proof
- Overvoltage proof

320 mA power supply (Figure 1):

- An output with integrated throttle for supplying a bus line

640 mA power supply (Figure 2):

- Two outputs with integrated throttle for supplying bus lines

4 Information for electrically skilled persons

4.1 Fitting and electrical connection



DANGER!

Electrical shock when live parts are touched.

Electrical shocks can be fatal.

Before working on the device, disconnect the power supply and cover up live parts in the working environment.

Fitting the device

Observe the temperature range. Ensure sufficient cooling.

- Mount the device on DIN rail. The terminals for the mains connection (1) must be at the top.

Connecting the device

- Connecting the mains voltage to the terminals L and N (1).
- Connect the protective conductor PE to the terminal \oplus .
- Connect KNX bus line to a **BUS** output.



The total load of the outputs can be subdivided as desired. Do not exceed the total rated current (see chapter 5.1. Technical data).

- i** A KNX bus line can be supplied from two power supply units. There must be at least 200 m of bus line between the infeed points.

Installing the cover

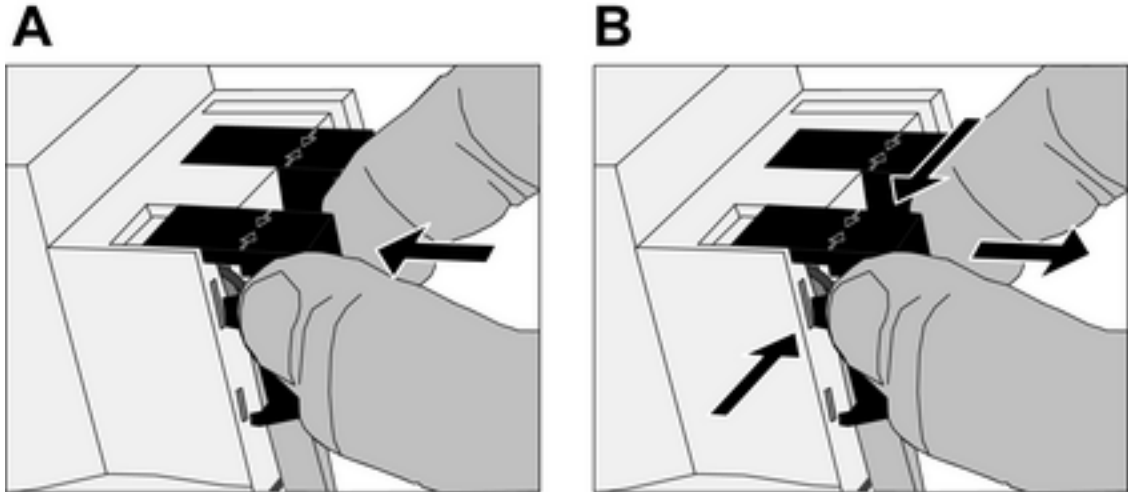


Figure 3

Install the cover on all of the output terminals to protect the bus connection against hazardous voltages in the connection area.

- Route the bus cable towards the rear.
- Install cover on top of the connection terminal so that it snaps into place.

Removing the cover

- Press the cover to the side and pull it off.

5 Appendix

5.1 Technical data

Rated voltage AC	AC 161 ... 264 V ~
Mains frequency	50 / 60 Hz
Rated voltage DC	DC 176 ... 270 V
Power loss	max. 5 W (in rated operation)
Output current	
Order-No. 1086 00	320 mA (all outputs)
Order-No. 1087 00	640 mA (all outputs)
Bus outputs	
Bus output voltage	DC 28 ... 31 V SELV
Connection type for bus	Connection terminal
KNX medium	TP 1
Output DC 30 V	
Output voltage	DC 30 V
Connection mode	Connection terminal
Ambient temperature	-5 ... +45 °C
Storage/transport temperature	-25 ... +70 °C
Fitting width	
Order-No. 1086 00	72 mm / 4 modules
Order-No. 1087 00	126 mm / 7 modules
Connection mode	Screw terminal
Single stranded	0.2 ... 4 mm ²
finely stranded without conductor sleeve	0.75 ... 4 mm ²

finely stranded with conductor sleeve

0.5 ... 2.5 mm²

5.2 Troubleshooting

LED Überlast (7) lights up red

Short-circuit on bus line.

Eliminate short-circuit.

The bus line is supplied by an additional power supply whose reset switch has been actuated.

Eliminate reset.

30 V DC output loaded too much.

Reduce load, if necessary supply from another location.

Too many devices connected to the bus line(s).

Reduce number of devices. Check KNX topology. Connect devices to a different bus line.
Found a new bus line if necessary.

If possible: connect a second power supply to the bus line.

i There must be at least 200 m of bus line between the infeed points.

LED Überspannung (6) lights up yellow

Bus voltage too high, > 32 V DC.

Switch device off.

Determine cause, e.g. an additional, third-party power supply is connected, and eliminated it.

LED Reset (5) lights up red, no communication to bus

The reset switch for the corresponding bus line has been actuated, the bus line is short-circuited.

Switch-over reset switch (4).

i Use suitable screwdriver for actuation.

KNX device on bus line must be reset

Disconnect device from bus line.

– or –

Press reset switch (4) on power supply. Actuation time min. 20 seconds. Then switch-over the reset switch again.

i Use suitable screwdriver for actuation. During the reset state the associated LED (5) lights up red. Other power supplies connected to this bus line indicate overload during this time.

LED operation (8) does not light up, bus voltage has failed

Mains voltage has failed.

Check mains voltage. Switch on mains voltage/miniature circuit-breaker.

5.3 Warranty

The warranty is provided in accordance with statutory requirements via the specialist trade.

Please submit or send faulty devices postage paid together with an error description to your responsible salesperson (specialist trade/installation company/electrical specialist trade). They will forward the devices to the Gira Service Center.

Gira
Giersiepen GmbH & Co. KG
Elektro-Installations-
Systeme

Industriegebiet Mermbach
Dahlienstraße
42477 Radevormwald

Postfach 12 20
42461 Radevormwald

Deutschland

Tel +49(0)21 95 - 602-0
Fax +49(0)21 95 - 602-399

www.gira.de
info@gira.de