

Automatic-switch Trigger Insert

Order No. 0825 00

Automatic-switch REG Automatic Timer

Order No. 0829 00

Function

In conjunction with the REG automatic timer, the trigger insert serves to install or retrofit automatic switches in stair lighting circuits.

The trigger insert is exclusively operated by the REG automatic timer.

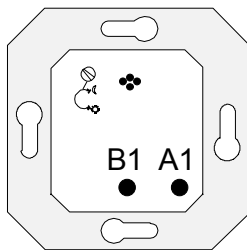
Use the system attachment from the automatic switch programme as 'movement detector'.

Warning

Important: Electrical equipment may only be inserted and installed by a skilled electrician.

Trigger Insert

The trigger insert (Fig. ①) is designed in two-wire fashion and replaces the mechanical push button used in stair lighting installations.



A manual-control installation becomes an automatic stair lighting system.

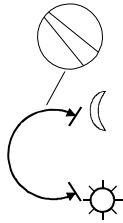
A maximum of 8 trigger inserts may be connected in parallel. When using extensions (push buttons), reduce the number of trigger inserts:

trigger inserts	push buttons	illuminated push buttons		
		0,35 mA	0,8 mA	1,5 mA
7-8	--- *	---	---	---
6	unlimited	---	---	---
5	unlimited	4	2	1
4	unlimited	8	4	3
3	unlimited	12	6	4
2	unlimited	16	8	6

* Bei Installation von mehr als 6 Impuls-Einsätzen mit zusätzlichen mechan. Tastern (Nebenstelle) ist es möglich, daß der Überlastschutz im REG-Automat anspricht. Der REG-Automat schaltet dann das Licht nicht mehr aus.

Pressing one of the push buttons switches on the system, irrespective of the brightness. The function of the trigger insert depends upon the brightness. The brightness threshold control (Fig. ②) is located on the trigger insert mounting plate.

②



Brightness sensor threshold: Continuous, approx. 3 - approx. 80 lux.

For function test, set the control to daytime operation ('sun' symbol).

For twilight operation, we recommend a setting to approx. 10 lux, as shown in Fig. ② dargestellt. Individually determine the exact setting value.

REG Automatic Timer

The REG automatic timer is an electronic stair lighting timer with very low switching noise and is provided for distributor installation (REG).

When the trigger insert gives a movement signal to the REG automatic timer, the latter switches on the light. During this ON period, the brightness measuring devices of the system attachments are inactive so that the ambient brightness is not evaluated.

After the time set on the REG has lapsed, and if the trigger insert gives no new movement signal, the REG automatic timer sends a switch-off signal to all trigger inserts connected. All the trigger inserts are locked for about 3 seconds (to suppress unintentional switching on again by sensing the lamp cooling down).

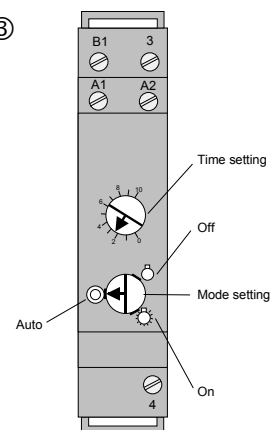
The switch-on time and the mode can be set on the REG automatic timer (Fig. ③).

Time setting: Approx. 10 sec. - approx. 10 min.

Modes: OFF / Auto / ON.

An LED in the mode selector indicates the switching state:
LED ON = light switched on.

③



Installation Instructions

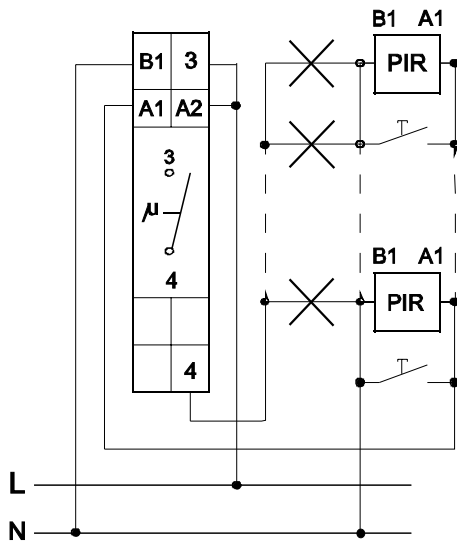
Put the trigger insert in a 60 mm flush-mounted box.

Installation height 1.10 m or 2.20 m, depending upon the system attachment used (refer to 'Attachments' Operating Instructions).

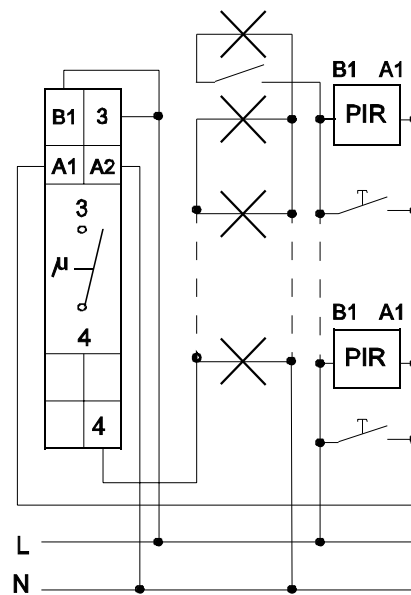
Snap the REG automatic timer onto the standard rail.

Do not connect REG automatic timers in parallel.

For three-wire connection:



For four-wire connection:



Specifications

Trigger Insert

Rated voltage:	230 VAC / 50 Hz
Power consumption:	Approx. 0,5 W
Switch:	60 ms pulse via triac
Brightness sensor:	Approx. 3 - 80 lux + daytime operation
Number of parallel devices:	Max. 8 (without extensions, refer to Table)
Interference suppression:	Acc. to EN 55014
Terminals:	Max. 2.5 mm ²

REG Automatic Timer

Rated voltage:	230 VAC / 50 Hz
Power consumption:	Approx. 1 W
Width:	1 unit (TE)
Rated switching capacity:	16 A / 250 VAC
Incandescent lamps:	1000 W
Fluorescent lamps	
Twin lamp circuit:	1000 W
Electronic ballast:	700 W
Induced load with $\cos \varphi = 0.6$:	5 A (for 230 VAC)
ON period:	100 %
Temperature range:	-5 °C to +50 °C
Interference suppression:	Acc. to EN 55014
Terminals:	Max. 4.0 mm ²

Acceptance of guarantee

We accept the guarantee in accordance with the corresponding legal provisions.

Please return the unit postage paid to our central service department giving a brief description of the fault:

Gira
Giersiepen GmbH & Co. KG
Service Center
Dahlienstrasse 12
D-42477 Radevormwald



The CE sign is a free trade sign addressed exclusively to the authorities and does not include any warranty of any properties.

Gira
Giersiepen GmbH & Co. KG
Postfach 1220
D-42461 Radevormwald

Telefon: +49 / 21 95 / 602 - 0
Telefax: +49 / 21 95 / 602 - 339
Internet: www.gira.de