

Switchactuator 2fold

Order No.: 0608 00

Switchactuator 4fold

Order No.: 0616 00

General system information

This device is a product of the *instabus* EIB-system and complies with EIBA directives. Detailed technical knowledge obtained in *instabus* training courses is a prerequisite to proper understanding. The functionality of this device depends on the software. Detailed information on loadable software and attainable functionality as well as on the software itself may be taken from the manufacturer's product database.

Planning, installation and commissioning of the unit are performed by means of EIBA certified software.

Function

The Switchactuator allows two or, respectively, four groups of loads to be switched independent of each other.

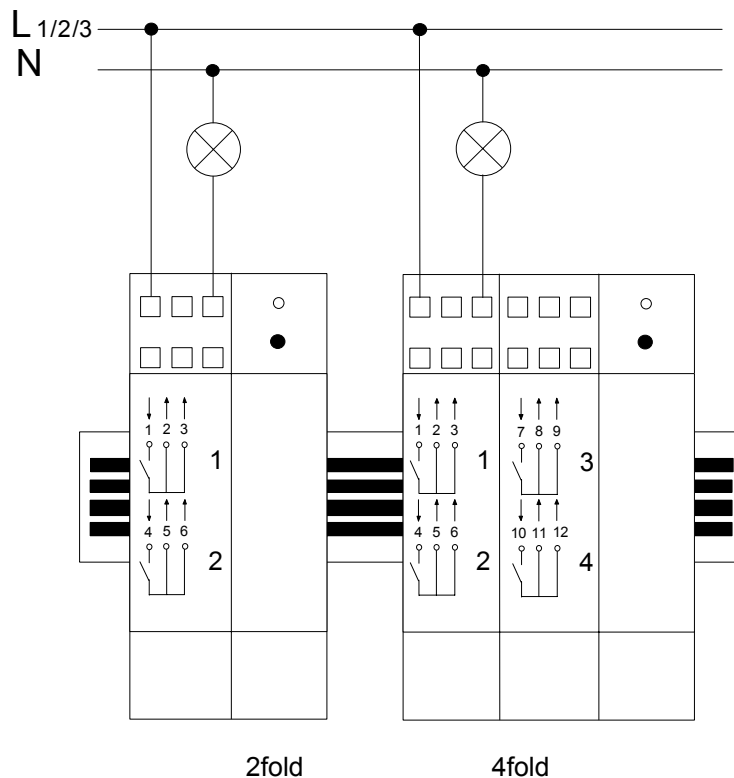
Switching and dimming commands are issued by operation of touch sensors, dimming sensors, infrared sensors or via the binary inputs of the *instabus* EIB-system.

The connection of different external conductors is admissible.

Indications of danger

Caution! The installation and assembly of electrical equipment may be carried out only by a skilled person.

Planning, installation and commissioning of the unit is done by means of EIBA certified software.



Technical Data

Supply	
<i>instabus</i> EIB:	24 V DC (+6 / -4 V)
Power drain	
<i>instabus</i> EIB:	max. 150 mW
Connection	
<i>instabus</i> EIB:	Pressure contact on data bar
AC mains:	Plug terminals 1 - 2,5 mm ² , unifilar 1 - 2,5 mm ² finewire with pin cable socket 1 - 1,5 mm ² finewire with core end bush
max. Switching power	
incandescent lamps:	1000 W
HV halogen:	1000 W
NV halogen (depending on ballast):	200 to 500 W
Fluorescent lamps	
non-compensated:	500 W
dual circuit:	1000 W
parallel compensated:	2 x 58 W
Terminal current:	10 A
Ambient temperature:	-5 °C to +45 °C
Storage temperature:	-25 °C to +70 °C
Type of protection:	IP 20

Switchactuator 2fold

Build-in width: 35 mm (2 PU)

Switchactuator 4fold

Build-in width: 52,5 mm (3 PU)

Acceptance of guarantee

We accept the guarantee in accordance with the corresponding legal provisions.

Please return the unit postage paid to our central service department giving a brief description of the fault:

Gira
Giersiepen GmbH & Co. KG
Service Center
Dahlienstrasse 12
D-42477 Radevormwald



The CE sign is a free trade sign addressed exclusively to the authorities and does not include any warranty of any properties.

Gira
Giersiepen GmbH & Co. KG
Postfach 1220
D-42461 Radevormwald

Telefon: +49 / 21 95 / 602 - 0
Telefax: +49 / 21 95 / 602 - 339
Internet: www.gira.de