

## Instabus Sensor for Temperature

Order No. 0577 ..

This device is a product of the *instabus* EIB-system and is according to EIBA regulations. On the understanding that detailed technical knowledge has been acquired by *instabus* training courses.

### Application

The sensor for temperature forwards the switching signals (heating ON/OFF) to the *instabus* by means of a telegram. In combination with the *instabus* switching actuator 2/6A UP thermal positioner may be controlled.

### Function

The function of this device is depending on the Software. For detailed information on which Software may be used leading to what extension of operability please see manufacturer's product data base.

Display of functions:

red LED on: operation „heating ON“  
green LED on: temperature drop activated by 3 K  
yellow LED on: anti-freeze (set-point = 8 °C) activated

Pre-selected comfort temperature (18 °C, 20 °C or 22 °C) are displayed by three red LED.

A manual set-joint interference of the selected comfort temperature is possible in range of -5K until +2K via a potentiometer (control knob).

### Indications of danger

**Caution! The installation and assembly of electrical equipment may be carried out only by a skilled person.**

### Instructions for installation

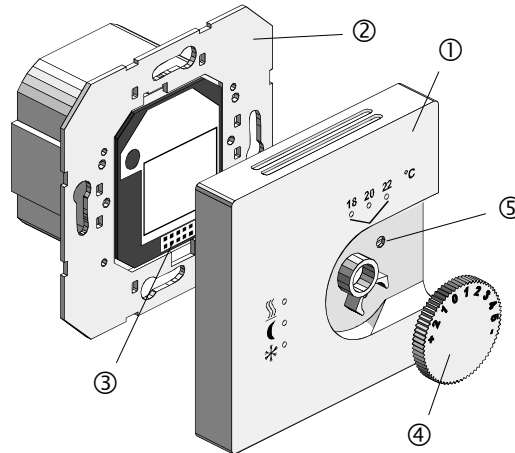
Planning, installation and starting of the device is being undertaken by means of a Software certified by EIBA.

Do not install device close to sources of heat.

Plug sensor for temperature ① onto a wall-mounted bus coupler ② recessed into a standard wall-mounted box.

Contact via physical external interface ③.

For installation remove control knob ④, plug sensor for temperature onto the bus coupler and fasten with safety screw ⑤ (dismantling protection). Re-plug control knob (see diagram).



### List of fault analysis

Failure	Possible reason	Corrective actions
<b>Room to cold</b>	Green LED on, temperature drop activated	Stop temperature drop (possibly at Timer)
	Yellow LED on, anti-freeze activated	Stop anti-freeze
	Control knob turned down too much, pre-selected interior temperature reached	Turn up control knob
	Red LED 18°C or 20°C on, possibly pre-selected comfort temperature too low	Set higher comfort temperature 22°C
<b>Room to warm</b>	Control knob turned up too high and pre-selected room temperature reached	Turn control knob down
	Red LED 20°C or 22°C on, possibly pre-selected comfort temperature too high	Set lower comfort temperature 18°C

### Technical Data

Supply <i>instabus</i> EIB:	24 V DC (+6/-4 V) via bus coupler (BA)
Connection	Connecting terminal and branch joint
<i>instabus</i> :	Attach to BA
Anwenderschnittstelle:	18 °C, 20 °C, 22 °C (displayed by red LED)
Comfort temperature:	at 8 °C (displayed by yellow LED)
Anti-freeze:	about 3 K (displayed by green LED)
Temperature drop:	-5 K until +2 K
Manual set-point adjustment ④ (see diagram):	-5 °C until +45 °C
Ambient temperature:	-25 °C until +70 °C
Storing temperature:	III
Protection class:	IP 20
Protection grade:	

---


## Acceptance of guarantee

We accept the guarantee in accordance with the corresponding legal provisions.

**Please return the unit postage paid to our central service department giving a brief description of the fault:**

Gira  
Giersiepen GmbH & Co. KG  
**Service Center**  
Dahlienstrasse 12  
D-42477 Radevormwald

---

 The CE sign is a free trade sign addressed exclusively to the authorities and does not include any warranty of any properties.

Gira  
Giersiepen GmbH & Co. KG  
Postfach 1220  
D-42461 Radevormwald

Telefon: +49 / 21 95 / 602 - 0  
Telefax: +49 / 21 95 / 602 - 339  
Internet: [www.gira.de](http://www.gira.de)