

Instabus Constant temperature controller

Order No. 0576 ..

This device is a product of the *instabus* EIB-system and complies with EIBA directives. Detailed technical knowledge obtained in *instabus* training courses is a prerequisite for proper understanding.

Application

The *instabus* EIB Constant temperature controller is used for the temperature control of individual rooms. The controller supplies a permanent signal, e.g. for direct control of an *instabus* actuator or alternatively a switched signal (pulse width modulated) for controlling an *instabus* 6A twofold switched actuator in connection with an electro-thermal actuating drive.

Function

Functionality of the devices is depending on the software. Detailed information on loadable software and attainable functionality may be taken from the manufacturer's product database.

Characteristics

- PI controller
- heating and/or cooling with manual or automatic switch-over and common or individual control outputs
- 5 operating modes with independent nominal value
- comfortable mode prolongation or change of operating mode with presence button
- variable frost and heat protection
- inputs for presencebutton, timer clock, door/window contact and controller disabling
- change of control action direction with *instabus* EIB
- controller status and nominal and actual values accessible through *instabus* EIB
- 5 LEDs for operating status indication
- fault indication by means of status LEDs
- nominal value can be shifted with knob by ± 3 K

Installation

Caution! The installation and assembly of electrical equipment may be carried out only by a skilled person.

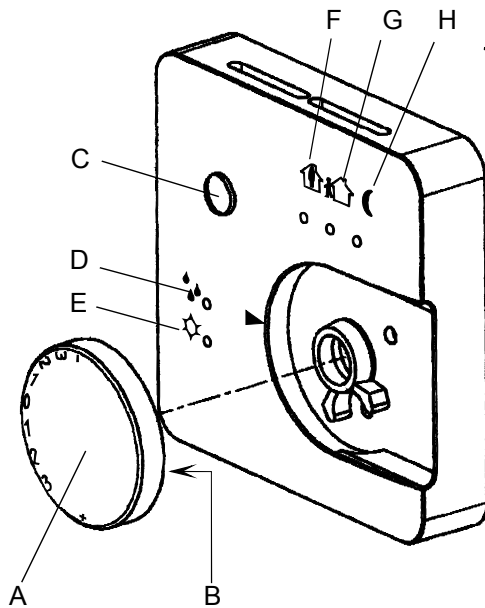
Planning, installation and commissioning of the unit is done by means of EIBA certified software.

Do not install unit near heat sources. The controller is plugged into a flush-mounting bus coupler (UP-BA) and installed in a flush-mounting box.

Connection at user interface.

For fitting pull out knob, plug temperature controller into bus coupler and fasten with the retaining screw (Removal protection). Refit knob.

Controls and function indicators (see drawing)



- A: knob for nominal value shift by ± 3 K (offset from conf. temp. setting)
- B: Setting rings for nominal value shift limitation (in control knob)
- C: presence button for prolongation of comfortable mode or change of operating mode
- D: yellow LED to indicate disabling of controller (e.g. in the event of dew point alarm)
- E: red LED to indicates frost/heat protection mode
- F: green LED to indicate comfortable mode
- G: green LED to indicate standby operation
- H: green LED to indicate night-time operation

Technical Data

Supply <i>instabus</i> EIB:	24 V DC (+6/-4 V)
Power drain <i>instabus</i> EIB:	max. 150 mW
Connection <i>instabus</i> EIB:	Connection terminal and branch joint
phys. external interface:	Attach to BA (2 x 5 pole plug connector)
Control:	PI control, alternatively permanent or switched control signal (PWM)
Measuring range:	0 - 40 °C
Tolerance:	± 1 K
Comfortable temperature nominal value:	7 - 35°C adjustable
Nominal value offset:	± 3 K continuously variable (offset from comfortable temperature)
Ambient temperature:	-5 °C to +45 °C
Storage temperature:	-25 °C to +70 °C
Type of protection:	IP 20
Protection class:	III

Acceptance of guarantee

We accept the guarantee in accordance with the corresponding legal provisions.

Please return the unit postage paid to our central service department giving a brief description of the fault:

Gira
Giersiepen GmbH & Co. KG
Service Center
Dahlienstrasse 12
D-42477 Radevormwald



The CE sign is a free trade sign addressed exclusively to the authorities and does not include any warranty of any properties.

Gira
Giersiepen GmbH & Co. KG
Postfach 1220
D-42461 Radevormwald

Telefon: +49 / 21 95 / 602 - 0
Telefax: +49 / 21 95 / 602 - 339
Internet: www.gira.de