

Instabus Binary input potential free

Order No. 0561 ..

Function

This device are product of the *instabus* EIB-system and meets EIBA regulations. Detailed technical knowledge obtained in *instabus* training courses is a prerequisite for proper understanding.

The binary input 2fold transmits commands to the *instabus*-EIB. Statuses „contact open“ and „contact closed“ (e.g. window contacts) are processed.

The two binary input channels are evaluated independent of each other and have a common reference potential.

Installation

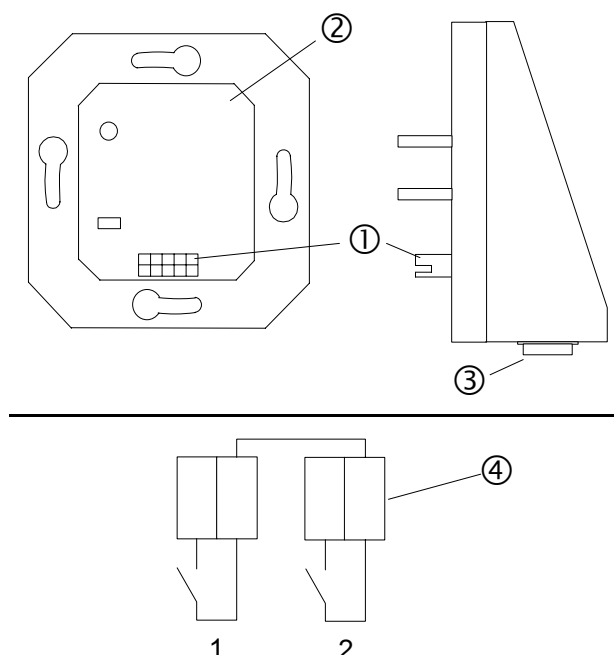
Attention! Refer installation and assembly work to qualified personnel only.

The binary input is plugged onto the user interface ① of a flush-mounted bus coupler ②.

Leads of the potential free contacts are laid through the lead-in ③ to the terminal block ④.

Planning, installation and commissioning of the unit is done by means of EIBA certified software.

If *instabus* wall mounted devices and earthed sockets shall be used in a multiple combination, earthed GIRA sockets with screwless plug terminals are to be used as they guarantee shock protection even after removal of the cover.



Technical Data

Supply voltage <i>instabus</i> EIB:	24 V DC (+6 V/ -4 V) via bus coupler (BCU)
Power drain <i>instabus</i> EIB:	max. 150 mW
Connection	
<i>instabus</i> EIB:	Connecting terminal and branch joint
User interface:	Plugged onto BCU
Inputs:	Screw terminals up to 1,5 mm ²
Length of the input line:	max. 100 m for NYM wire
Contact closed:	max. 100 Ω
Contact open:	min. 10 kΩ / 10 nF
Ambient temperature:	-5 °C to +45 °C
max. housing temperature:	+45 °C
Storage temperature:	-25 °C to +75 °C
Protection class:	IP 20

Acceptance of guarantee

We accept the guarantee in accordance with the corresponding legal provisions.

Please return the unit postage paid to our central service department giving a brief description of the fault:

Gira
Giersiepen GmbH & Co. KG
Service Center
Dahlienstrasse 12
D-42477 Radevormwald



The CE sign is a free trade sign addressed exclusively to the authorities and does not include any warranty of any properties.

Gira
Giersiepen GmbH & Co. KG
Postfach 1220
D-42461 Radevormwald

Telefon: +49 / 21 95 / 602 - 0
Telefax: +49 / 21 95 / 602 - 339
Internet: www.gira.de