

## Simulation switch attachment

Order No. 0546 ..

### Function

Processor-controlled flush illumination switch with one manual mode and two automatic modes to simulate the presence of persons.

The unit can be combined with a 'triac insert' (Order No. 836 00) or with a 'relay contact insert' (Order No. 835 00) and can thus be used with a multitude of light fittings.

### Warning

**Important: Electrical equipment may only be inserted and installed by a skilled electrician.**

Non-observance of the installation instructions may cause fire or other hazards.

### Push-Button Mode (Manual)

The simulation switch has the function of a standard light switch.

The times of the switching events during the past 7 days are stored in the memory. The switch 'learns'.

Switching commands older than 7 days are erased.

If the simulation switch was **not** operated in the push-button mode for 7 days, the memory is empty. A maximum of 124 switching events can be saved. If more events occur within 7 days, the first ones are overwritten so that the last 125 events are recorded only. Switching events that occur in intervals of < 16 seconds will possibly not be saved.

### Random Mode (Automatic)

When darkness falls (approx. 10 lux), the simulation switch generates random switching events for a maximum period of 9 hours, or till dawn, respectively, to simulate the presence of persons. The first switching on takes place approx. 10 sec. after the 'random' mode was activated.

The on-period is within the range of 20 - 40 minutes. The subsequent off-period is 25 % of the previous on-time.

Example: 40 min. on-time, 10 min. off-time.

When the off-time has lapsed, the random generator selects the period of the next on-time. The ambient luminosity is not measured during the on-phase. The current on-time is still activated after a luminosity value of 10 lux is exceeded.

Manual operation is possible any time.

### Memory Operation (Automatic)

Irrespective of the luminosity, the simulation switch performs switching events stored in its memory.

Those switching periods executed in push-button mode within the past 7 days are repeated.

If no switching periods are in the memory (e. g. the unit was not operated for one week), the unit turns on the illumination in random mode.

For memorized on-times longer than 8 hrs., or off-times longer than 48 hrs., luminosity-dependent random switching events are inserted.

Manual operation is possible any time.

## Mode Selection

Changing among the modes of operation can be effected by pressing the control key according to Fig. ① for at least 3 sec-onds.

Example: To get from push-button mode into memory mode, 2 operations of > 3 sec. each are necessary.

An luminosity sensor in the middle of the control surface measures the ambient luminosity and, for random mode ensures that switching events are only performed when it is dark.

Do not cover the push-button control surface.

A pilot LED indicates the current mode of operation:

LED off:	Push-button mode.
LED flashing at 1 sec. intervals:	Random mode.
LED flashing at 2 sec. intervals:	Memory mode.

## Installation Instructions

The unit is **not suitable for disconnecting**.

Prior to removing the simulation switch, disconnect the installation (shut off the automatic cut-out).

Attach frame (b) together with simulation switch (c) to insert (a) (refer to Fig. ②).

(For descriptions of the inserts, refer to separate instructions.)

For the combination of 'simulation switch' with 'relay contact insert', standard push-buttons (normally open contacts) can be connected as extensions. The operations of the extensions are also recorded into the memory if the simulation switch is in push-button mode. The mode of the simulation switch cannot be changed from the extension.

**Important: When connecting the inserts in combination with simulation switch, exclusively use the circuit diagrams overleaf.**

'Triac insert' connection, refer to Fig. ③.

'Relay contact insert' connection, refer to Fig. ④.

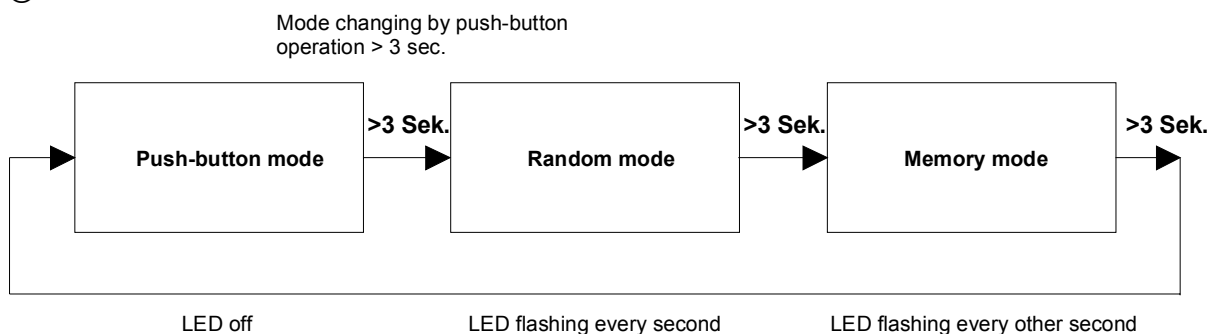
'Relay contact insert' and extension connection, refer to Fig. ⑤.

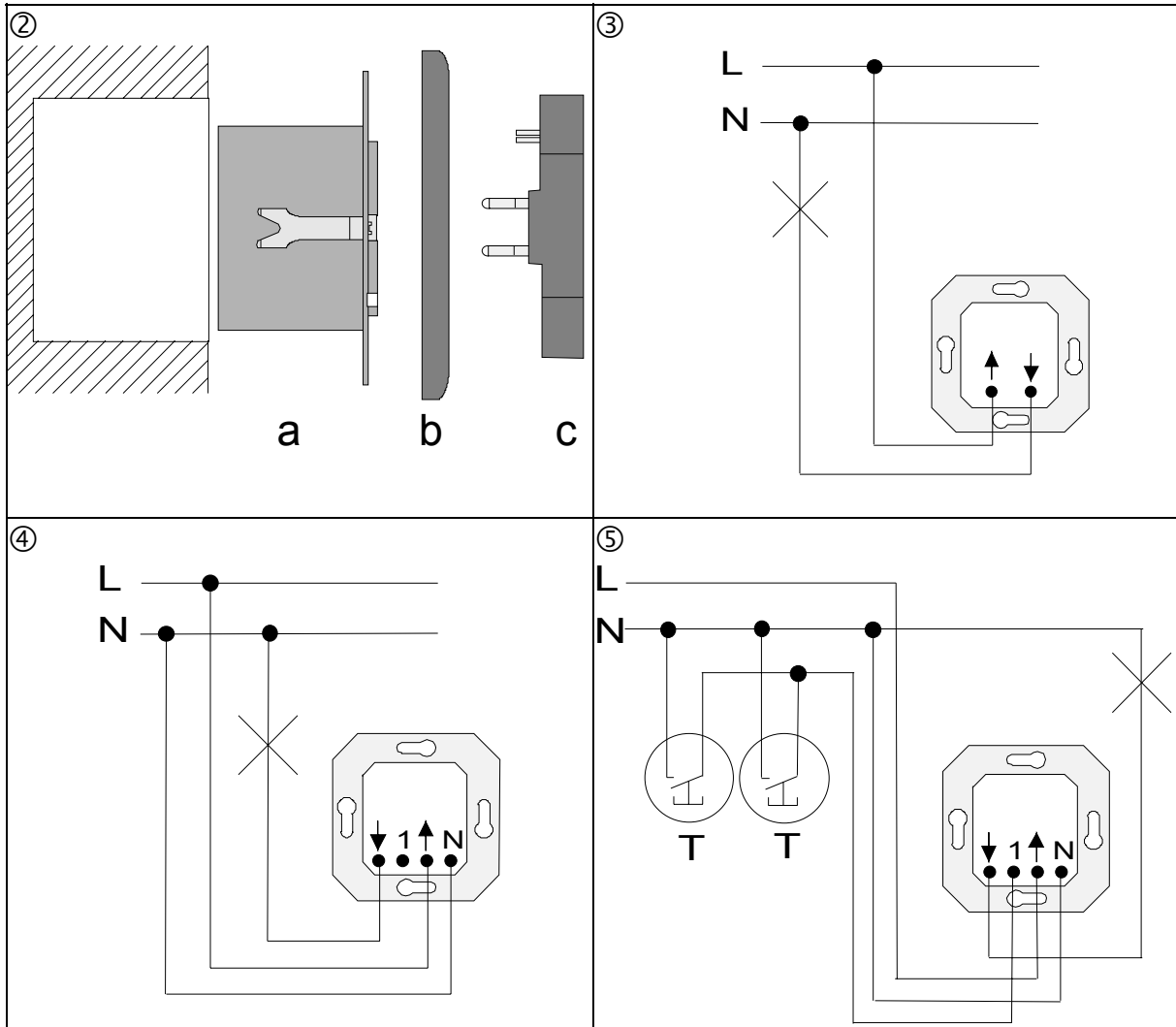
### Note:

The periods **stored** are preserved during mains failure. Mains failure in case of 'memory' mode leads to shifting the switching times by the period of mains failure.

Mains failure in case of 'push-button' operation may possibly lead to a loss of the switching periods during the last 8 min. (periods are stored every 8 min.)

①





**Specifications**

Rated voltage: 230 VAC, 50 Hz  
 Number of switching events: max. 124  
 Storage period: 7 days  
 Modes of operation: push-button, memory, random  
 Luminosity sensor: approx. 10 lux

**Triac inserts**  
 Switching capacity: 40-400 W  
 stand. incand. lamps  
 40-200 W  
 HV halogen lamps

**Relay contact inserts**  
 Switching capacity:  
 Stand. incand. lamps: 1000 W  
 HV halogen lamps: 1000 W  
 LV halogen lamps  
 with conv. transformers: 750 VA  
 Conv. transformers with min. 85 % rated load.  
 with TRONIC trans-formers: 750 W  
 Fluorescent lamps:  
 unbalanced: 500 VA  
 parallel comp. (47 µF): 400 VA  
 twin-lamp circuit: 1000 VA

**Note:**

Pay attention to high starting current peaks in case of energy-saving lamps. Check suitability of lamps prior to use!


## Acceptance of guarantee

We accept the guarantee in accordance with the corresponding legal provisions.

**Please return the unit postage paid to our central service department giving a brief description of the fault:**

Gira  
Giersiepen GmbH & Co. KG  
**Service Center**  
Dahlienstrasse 12  
D-42477 Radevormwald

---

 The CE sign is a free trade sign addressed exclusively to the authorities and does not include any warranty of any properties.

Gira  
Giersiepen GmbH & Co. KG  
Postfach 1220  
D-42461 Radevormwald

Telefon: +49 / 21 95 / 602 - 0  
Telefax: +49 / 21 95 / 602 - 339  
Internet: [www.gira.de](http://www.gira.de)