

Powernet Fourfold 24 V Binary Input

Art. Nr.: 0435 00

System Information

This device is a product of the Gira-Powernet® EIB system and complies with EIBA directives. Detailed technical knowledge obtained in *instabus* or Gira-Powernet® EIB training courses is a prerequisite to proper understanding.

The functionality of this device depends upon the software. Detailed information on loadable software and attainable functionality may be taken from the manufacturer's ETS2 product database as well as from the Gira-Powernet® EIB controller database.

Planning, installation and commissioning of the unit is done by means of the ETS2 software, Ver. 1.1 or later, as well as by the Gira-Powernet® EIB controller.

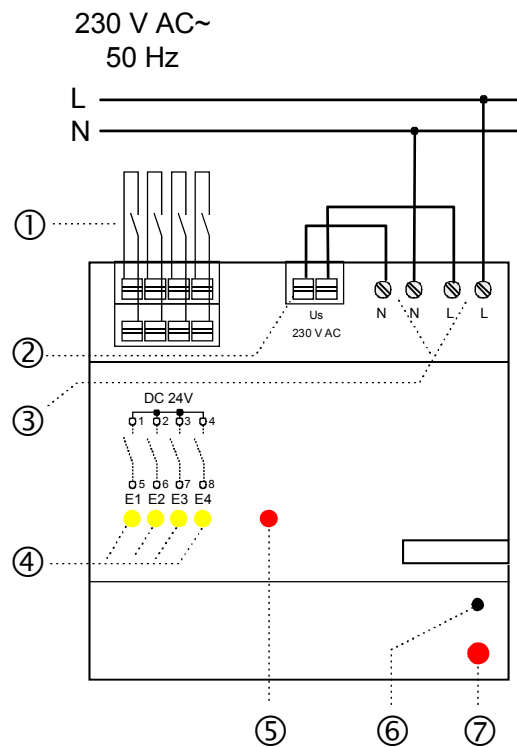
Function

This fourfold 24 V binary input device is provided for series mounting on a DIN top hat rail.

The device has four independent inputs for the connection of external, potential-free 24 V contacts ① (e. g. auxiliary, door and window contacts). The 24 V DC signal voltage is produced by the device itself and must be used.

The statuses of the connected contacts are shown by separate indicators (E1 - E4) ④.

Connection



Switch off the mains voltage before establishing the electrical connection.

Establish connection as shown in the opposite illustration.

Where:

- ① 4 x 24 V DC signal contacts.
- ② 230 V AC supply connection (required for the production of the internal 24 V signal voltage).
- ③ Gira-Powernet® EIB connection.
- ④ Input state indicators.
- ⑤ Malfunction indicator LED.
- ⑥ Programming key.
- ⑦ Programming LED.

Warning

Caution! The installation and assembly of electrical equipment may only be performed by a skilled electrician. Non-connection or wrong connection of the neutral conductor results in damage to the device.

Specifications

Supply

Mains voltage	: 230 V AC (sine wave)
Mains frequency	: 50 Hz
Rated current	: 10 mA max.

Connection

Mains	: 0.5 - 2.5 mm ² plug-in terminals
Inputs	: 0.5 - 2.5 mm ² plug-in terminals
Powernet	: 1 - 2.5 mm ² screw terminals

Inputs

Number	: 4
Signal voltage	: 24 V DC, internally produced
Signal current	: 2 mA, 200 mA for a short time when contacts are being closed
"0" signal	: 0 - 5 V DC
"1" signal	: 13 - 32 V DC
Max. line length	: 100 m per input

Ambient temperature	: -5 °C to +45 °C
Protective system	: IP 20 acc. to EN 60529
Dimensions	: 4.5 PUs (pitch units) (81 mm)

Acceptance of guarantee

We accept the guarantee in accordance with the corresponding legal provisions.

Please return the unit postage paid to our central service department giving a brief description of the fault:

Gira
Giersiepen GmbH & Co. KG
Service Center
Dahlienstrasse 12
D-42477 Radevormwald



The CE sign is a free trade sign addressed exclusively to the authorities and does not include any warranty of any properties.

Gira
Giersiepen GmbH & Co. KG
Postfach 1220
D-42461 Radevormwald

Telefon: +49 / 21 95 / 602 - 0
Telefax: +49 / 21 95 / 602 - 339
Internet: www.gira.de