

Spotlight

Spotlight, dimmable

Order no.: 2692..

Spotlight, dimmable (warm light)

Order no.: 2695..

Operating instructions

1 Safety instructions

These instructions are an integral part of the product, and must remain with the end customer.

The product contains a magnet that can damage electronic devices such as laptops, hearing aids, and data carriers such as credit cards, as well as mechanical watches and speakers. Maintain a minimum distance of 10 cm between the product and any listed devices and data carriers.

The product contains a magnet that may interfere with the function of electronic implants, such as pacemakers and insulin pumps.

Persons with electronic implants should not wear the product close to their body, e.g. in trouser or shirt pockets. Maintain a minimum distance of 10 cm between the product and electronic implants.

2 Intended use

- Dimmable light attachment for indoor lighting
- Operation with the light socket of the Plug & Light system
- Wall or ceiling mounting by plugging onto the light socket of the Plug & Light system

i To operate this dimmable light attachment, the light socket must be wired in accordance with the connection diagram for dimmable light attachments, see the operating instructions for the light socket.

3 Product characteristics

- Dimmable: Dimming with suitable LED dimmer at constant colour temperature of 2700 K
- Warm dimming: Changing the colour temperature between 2700 K and 4000 K with simultaneous brightness increase from minimum to maximum, with suitable LED dimmer
- Symmetrical optics, beam angle of 35°
- Flicker-free light over the entire dimming range
- Light attachment can be changed during ongoing operation
- Adjustable anti-glare ring via 3 latch positions (5, 10 and 15 mm)
- Swivelling by 90°
- Stepless rotation through 360°

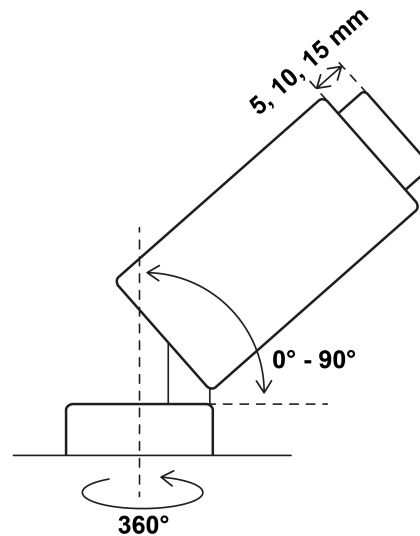


Figure 1

4 Cleaning

Do not use any aggressive or abrasive cleaning agents to clean the light attachment!

Before cleaning, switch off the light attachment and let it cool down. Then clean with a moistened soft cloth.

Wipe over acrylic glass optics carefully with a dry, soft microfiber cloth. To clean thoroughly, soak the microfiber cloth with isopropyl or optic cleaning agent.

5 Lamps

The LED lamps in the light attachment cannot be replaced. If it is defective, exchange the entire light attachment.

6 Mounting

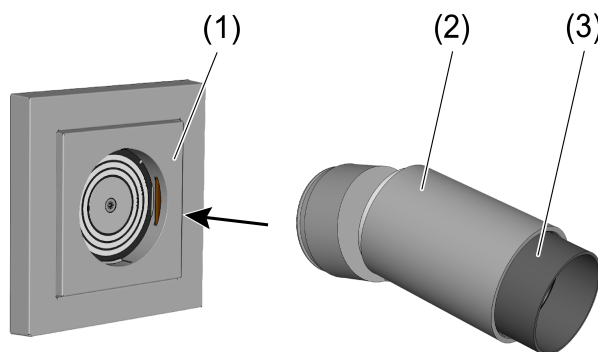


Figure 2: Mounting the light attachment

Mounting the light attachment

Prerequisite: The light socket is electrically connected and mounted.

- Place the light attachment (2) on the mounted light socket (1) (Figure 2).

Adjusting the anti-glare ring

The anti-glare ring can be adjusted via 3 latch positions (5, 10 and 15 mm).

- To move the anti-glare ring (3) of the light attachment to the next position, push or pull the anti-glare ring.

Dismantling a light attachment

- Remove light attachment.
-  Tilting the light attachment downwards will make it easier to pull out.

7 Technical data

Rated voltage	DC 12 V SELV
Power consumption	5.6 W
Connection	Electrical coupling via gold-plated sliding contacts
Degree of protection	IP 20
Protection class	III
Ambient temperature	+5 ... 25°C
Storage and transport temperature	-25 ... 70°C
Rel. humidity (storage/transport)	max. 93 % (no moisture condensation)
Diameter	42 mm
Length	80 mm (without cover) 85 - 95 mm (with cover)
Housing material	Aluminium / plastic

8 Accessories

Light socket outlet Order no. 2688..

9 Warranty

The warranty is provided in accordance with statutory requirements via the specialist trade. Please submit or send faulty devices postage paid together with an error description to your responsible salesperson (specialist trade/installation company/electrical specialist trade). They will forward the devices to the Gira Service Center.

Gira
Giersiepen GmbH & Co. KG
 Elektro-Installations-
 Systeme

Industriegebiet Mermbach
 Dahlienstraße
 42477 Radevormwald

Postfach 12 20
 42461 Radevormwald

Deutschland

Tel +49(0)21 95 - 602-0
 Fax +49(0)21 95 - 602-191

www.gira.de
 info@gira.de