

**Rotary auxiliary insert, 3-wire**

Order no.: 2389 00

**Operating instructions****1 Safety instructions**

Electrical devices may only be mounted and connected by electrically skilled persons.

Serious injuries, fire or property damage possible. Please read and follow manual fully.

Danger of electric shock. Always disconnect before carrying out work on the device or load.

These instructions are an integral part of the product, and must remain with the end customer.

**2 Intended use**

- Extension operation of a dimmer with extension input
- Mounting in appliance box according to DIN 49073
- Operation with suitable cover

**3 Operation**

- i** Settings at the dimmer, which are made during commissioning, are only possible at the main unit.

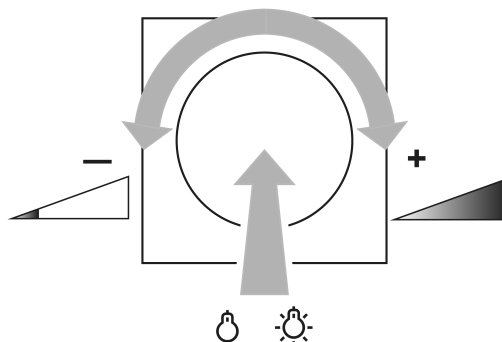
**Switching light or adjusting brightness**

Figure 1: Switching light or adjusting brightness

- Press the setting knob briefly: Light switches on or off (Figure 1).
- Turn the setting knob quickly: Brightness is changed quickly (Figure 1).
- Turn the setting knob slowly: Brightness is changed slowly (Figure 1).

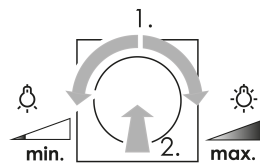
**Switching the light on at minimum or maximum brightness**

Figure 2: Switching on the light at minimum or maximum brightness

- Turn the setting knob by a quarter turn, then press the setting knob briefly: Light switches on at minimum brightness or maximum brightness (Figure 2).

**Save switch-on brightness**

- Adjust the brightness.

- Press the setting knob for longer than 4 seconds.  
Switch-on brightness is saved. For confirmation the lighting switches off briefly and then on again to the saved switch-on brightness.

#### Delete switch-on brightness

- Press the setting knob briefly: Light switches on at switch-on brightness.
- Press the setting knob for longer than 4 seconds.  
The switch-on brightness is deleted. For confirmation, the light is switched off briefly and switched on again. Switching on takes place at the last brightness value set.

## 4 Information for electrically skilled persons

### 4.1 Fitting and electrical connection



#### **DANGER!**

Mortal danger of electric shock.

Disconnect the device. Cover up live parts.

#### Fitting and electrical connection

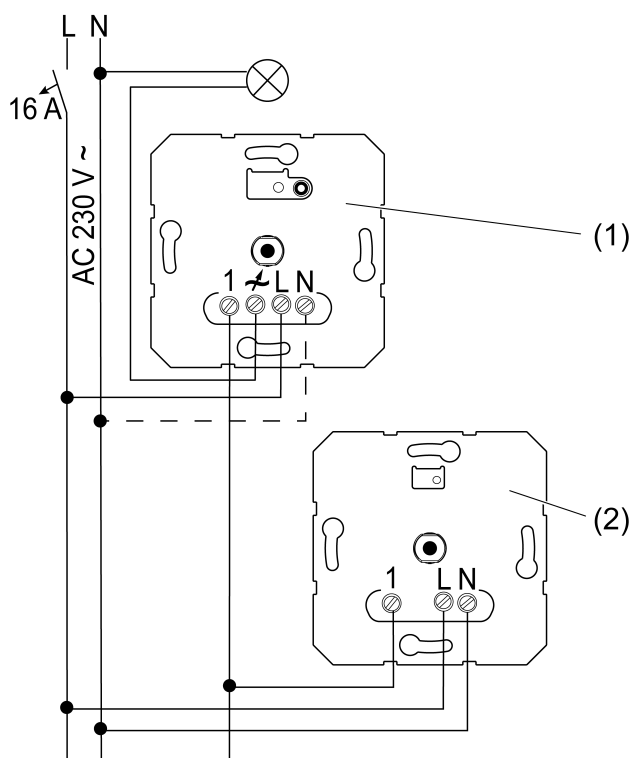


Figure 3: Connection example with rotary dimmer

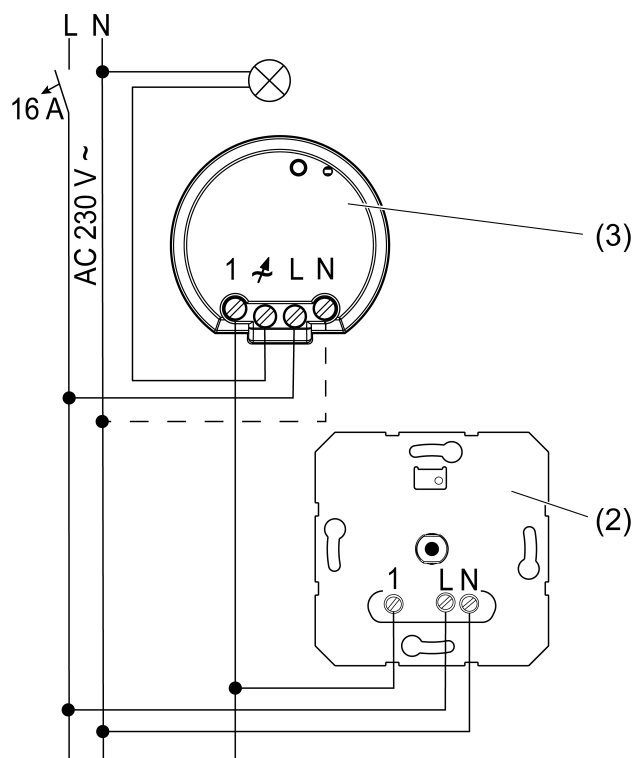


Figure 4: Connection example with dimmer mini

- (1) Rotary dimmer
- (2) Rotary dimmer extension
- (3) Dimmer mini

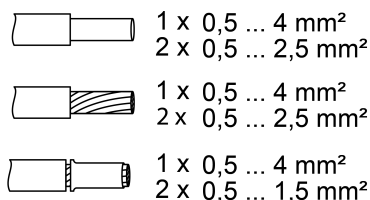


Figure 5: Clampable conductor cross-section

**i** Always connect the extension unit only to one main unit.

## 5 Technical data

|                                      |               |
|--------------------------------------|---------------|
| Rated voltage                        | AC 230 V~     |
| Mains frequency                      | 50 / 60 Hz    |
| Standby power                        | approx. 0.3 W |
| Ambient temperature                  | -5 ... +45 °C |
| Total length of extension unit cable | max. 100 m    |

## 6 Warranty

The warranty is provided in accordance with statutory requirements via the specialist trade. Please submit or send faulty devices postage paid together with an error description to your responsible salesperson (specialist trade/installation company/electrical specialist trade). They will forward the devices to the Gira Service Center.

**Gira**  
**Giersiepen GmbH & Co. KG**  
Elektro-Installations-  
Systeme

Industriegebiet Mermbach  
Dahlienstraße  
42477 Radevormwald

Postfach 12 20  
42461 Radevormwald

Deutschland

Tel +49(0)21 95 - 602-0  
Fax +49(0)21 95 - 602-191

[www.gira.de](http://www.gira.de)  
[info@gira.de](mailto:info@gira.de)